

Core Drilling





Core Barrels

Conventional Core Barrels

NV, NV2, NV3.....	7.2
HV, HV3.....	7.8
PV, PV3.....	7.12
NWD4.....	7.16

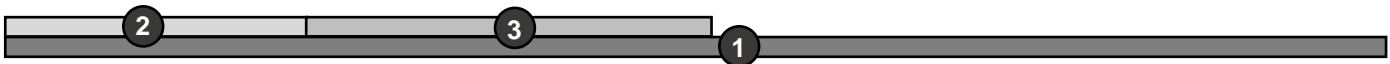
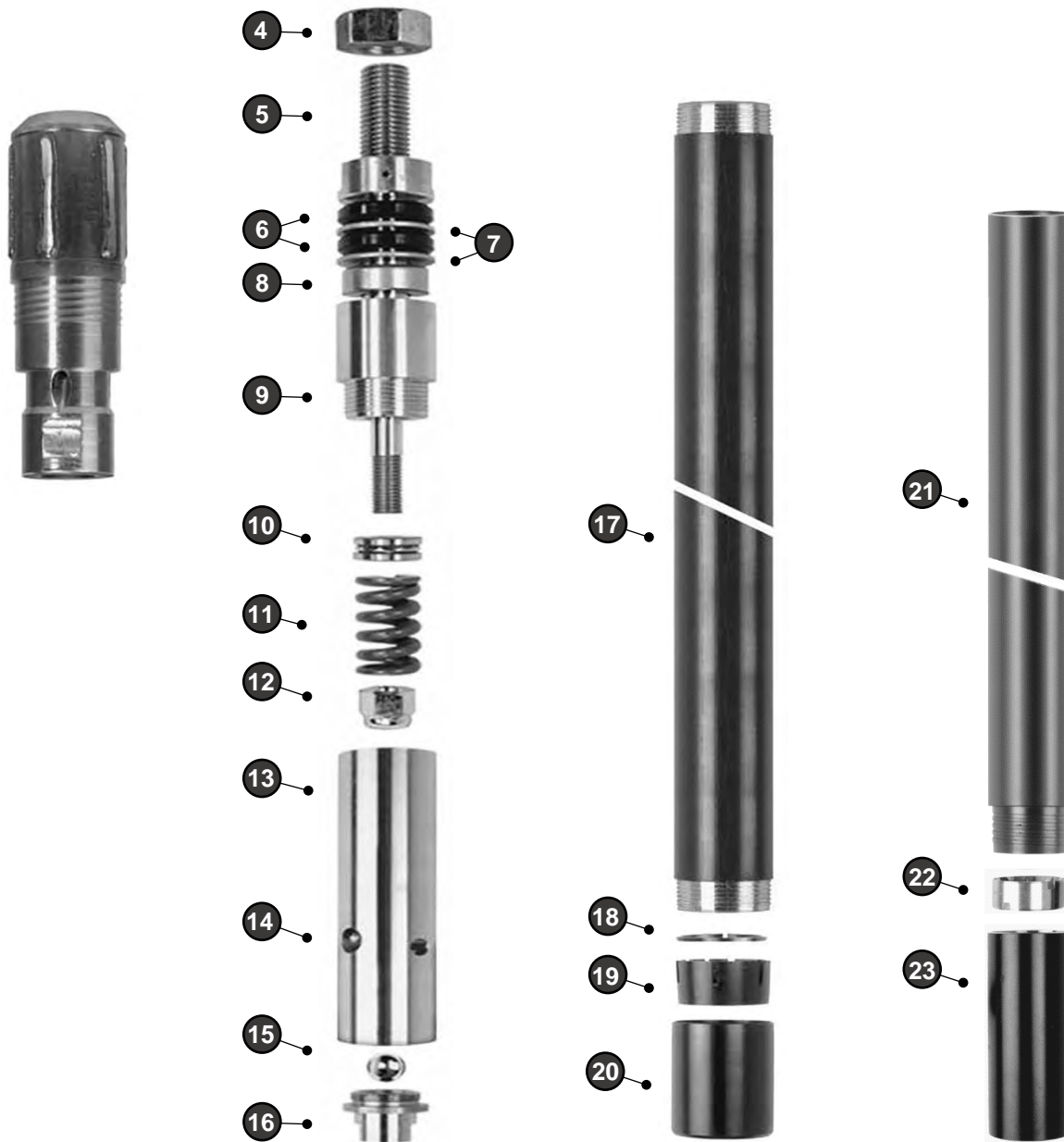
Wireline Core Barrels

N W/L, N W/L2, N W/L3.....	7.18
Overshot N W/L.....	7.28
H W/L, H W/L3.....	7.30
Overshot H W/L.....	7.36
P W/L, P W/L3.....	7.38
Overshot P W/L.....	7.42
W/L3 Conversion.....	7.44
NXB.....	7.46
Overshot NXB.....	7.48

Locking Coupling & Core Lifter Options.....	7.49
Wireline Core Barrel Packer Assembly.....	7.50
Wireline Drill Rod.....	7.51
Van Ruth Plugs.....	7.54
Recovery Taps.....	7.55
Hoisting Swivels & Rod Wrenches.....	7.56
Punch Shoes.....	7.57
Subs & Adapters.....	7.58
Casing – W Series Flush Joint.....	7.62
Casing Cutters.....	7.64
Water Swivels, Side Feed & Bail Type.....	7.66
Kwik Klamps.....	7.76
Foot Clamp.....	7.78
Core Barrel Wrenches – Full Circle Grip.....	7.79
Core Boxes.....	7.80
Polymer-Insta-Vis Plus.....	7.81
Thread Lubricants & Dope Brush.....	7.81

CONVENTIONAL CORE BARRELS

NV Core Barrel





CONVENTIONAL CORE BARRELS

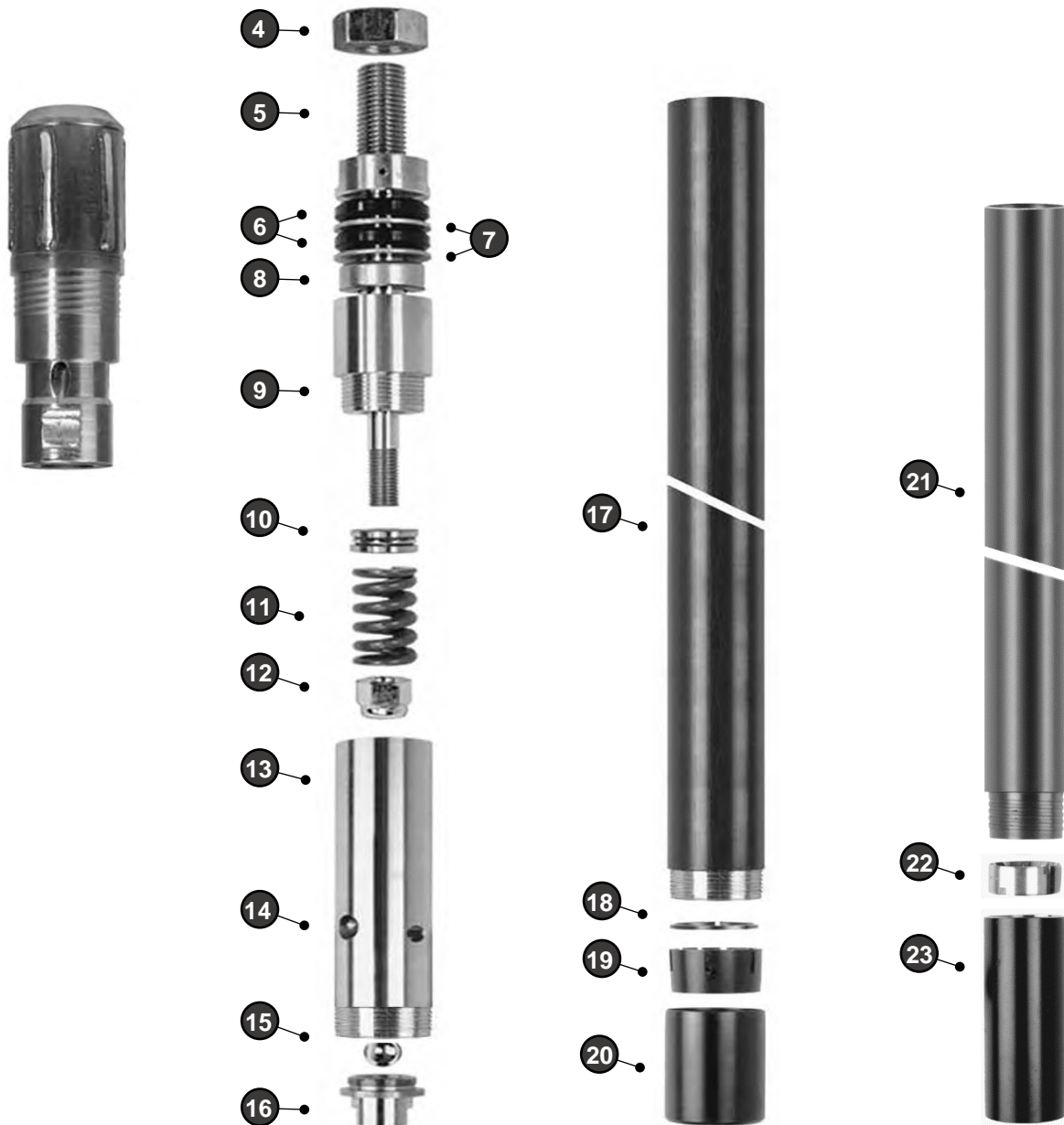
NV Core Barrel

Ref No.	Part No.					Description
	5'	10'	2'	5'	10'	
	Chrome plated		Plain			
1	36095	36096	36485	36100	36101	Core barrel assembly
1	36483	36381	N/A	36481	36482	Core Barrel Assembly - Split Inner Tube
2	36084	36084	36084	36084	36084	Head – NWJ box
3	37076	37076	37076	37076	37076	Bearing assembly
4	36014	36014	36014	36014	36014	Lock nut
5	36015	36015	36015	36015	36015	Spindle assembly
6	36016	36016	36016	36016	36016	Shut-off valve (2 req'd.)
7	36017	36017	36017	36017	36017	Valve adjusting washer (2 req'd.)
8	36018	36018	36018	36018	36018	Ball thrust bearing
9	36019	36019	36019	36019	36019	Spindle bearing
10	36020	36020	36020	36020	36020	Hanger bearing
11	36021	36021	36021	36021	36021	Compression spring
12	36022	36022	36022	36022	36022	Self lock nut
13	36023	36023	36023	36023	36023	Inner tube cap assembly (includes 36024, 36025, 36026)
14	36024	36024	36024	36024	36024	Grease fitting
15	36025	36025	36025	36025	36025	Steel ball
16	36026	36026	36026	36026	36026	Check valve body
17	36034	36035	36411	36110	36111	Inner tube
17	N/A	N/A	N/A	36125	36126	Inner tube- split-plain
18	36036	36036	36036	36036	36036	Stop ring
19	36037	36037	36037	36037	36037	Core lifter (Standard) (other types available, see page 7.49)
20	36039	36039	36039	36039	36039	Core lifter case
21	36044	36045	36410	36129	36130	Outer tube
22	36046	36046	36046	36046	36046	Inner tube stabilizer
23	36047	36047	36047	36047	36047	Thread protector
	36260	36260	36260	36260	36260	Inner Tube Coupling
	36122	36122	36122	36122	36122	Pump-out Adapter

NOTE: All barrels have NWJ box connection. Sub required for other rod sizes.
 If chrome plated, approximately 12" on either end of the outer tube and full length of the inner tube I.D.
 NV Core barrel assembly does not include reamer shell or bit (see *Diamond Bit section*).

CONVENTIONAL CORE BARRELS

NV 2 Core Barrel





CONVENTIONAL CORE BARRELS

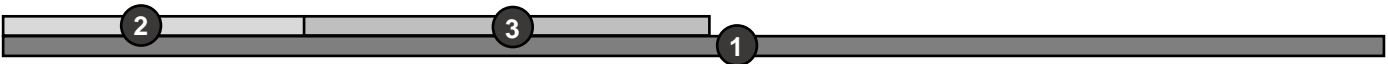
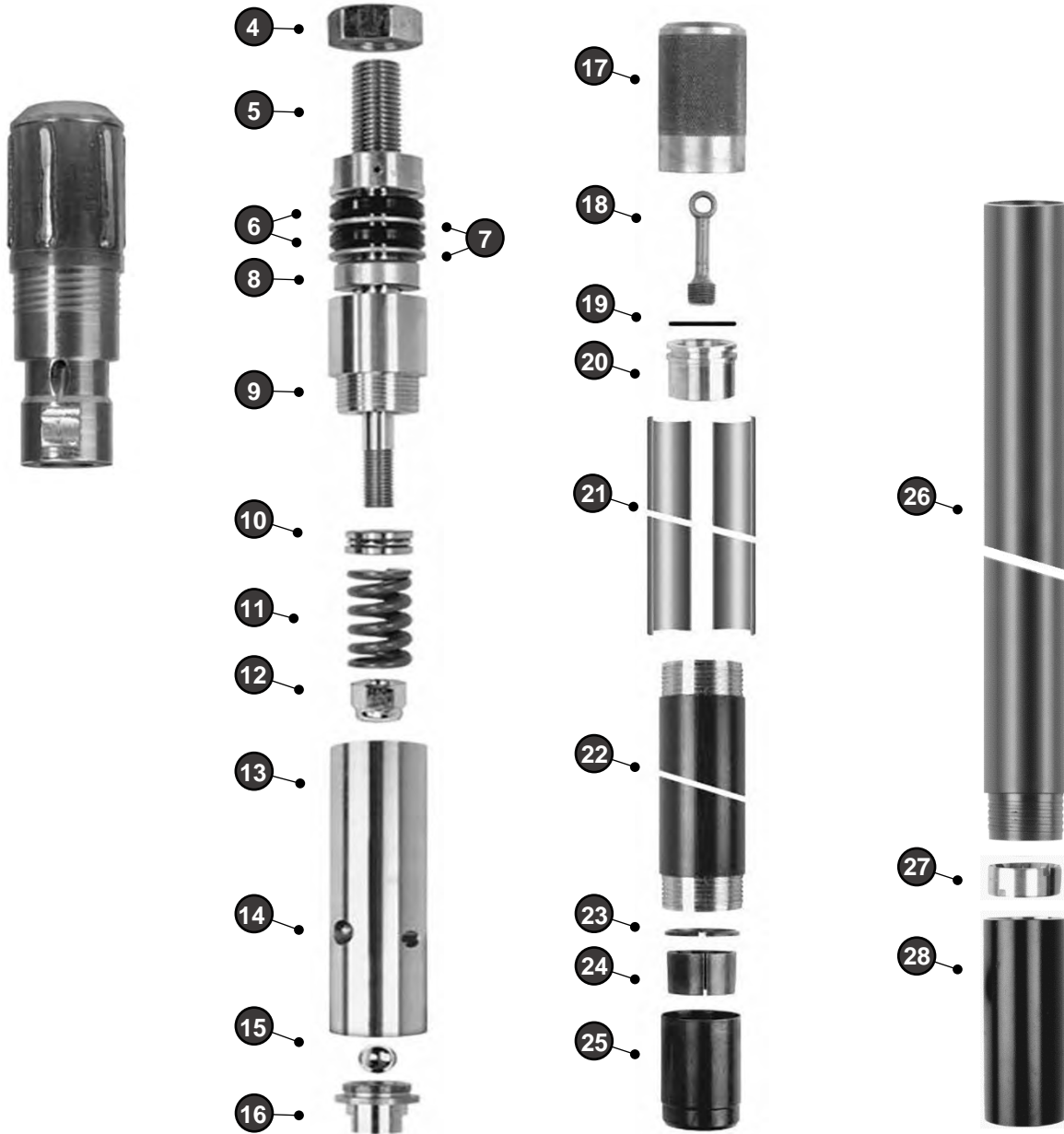
NV 2 Core Barrel

Ref No.	Part No.					Description
	5'	10'	2'	5'	10'	
	Chrome plated		Plain			
1	36082	36083	36429	36102	36103	Core barrel assembly
1	36487	N/A	N/A	36486	N/A	Core Barrel Assembly - Split Inner Tube
2	36084	36084	36084	36084	36084	Head – NWJ box
3	37077	37077	37077	37077	37077	Bearing assembly
4	36014	36014	36014	36014	36014	Lock nut
5	36015	36015	36015	36015	36015	Spindle assembly
6	36016	36016	36016	36016	36016	Shut-off valve (2 req'd.)
7	36017	36017	36017	36017	36017	Valve adjusting washer (2 req'd.)
8	36018	36018	36018	36018	36018	Ball thrust bearing
9	36019	36019	36019	36019	36019	Spindle bearing
10	36020	36020	36020	36020	36020	Hanger bearing
11	36021	36021	36021	36021	36021	Compression spring
12	36022	36022	36022	36022	36022	Self lock nut
13	36074	36074	36074	36074	36074	Inner tube cap assembly (includes 36024, 36025, 36026)
13	36428	N/A	N/A	36428	N/A	Inner Tube Cap Assembly-Split-Female (includes 36024, 36025, 36026)
14	36024	36024	36024	36024	36024	Grease fitting
15	36025	36025	36025	36025	36025	Steel ball
16	36026	36026	36026	36026	36026	Check valve body
17	36075	36076	36412	36112	36113	Inner tube
17	36427	N/A	N/A	36427	N/A	Inner Tube- Split-Plain-Male x Male
18	36077	36077	36077	36077	36077	Stop ring
19	36078	36078	36078	36078	36078	Core lifter (Standard) (other types available, see page 7.49)
20	36079	36079	36079	36079	36079	Core lifter case
21	36044	36045	36410	36129	36130	Outer tube
22	36081	36081	36081	36081	36081	Inner tube stabilizer
23	36047	36047	36047	36047	36047	Thread protector
	36124	36126	36126	36124	36246	Inner tube extensions
	36124	36246	N/A	N/A	N/A	Inner Tube Extenders
	36261	36261	36261	36261	36261	Pump-out Adapter

**NOTE: All barrels have NWJ box connection. Sub required for other rod sizes.
 If chrome plated, approximately 12" on either end of the outer tube and full length of the inner tube I.D.
 NV 2 Core barrel assembly does not include reamer shell or bit (see *Diamond Bit section*).**

CONVENTIONAL CORE BARRELS

NV 3 Core Barrel





CONVENTIONAL CORE BARRELS

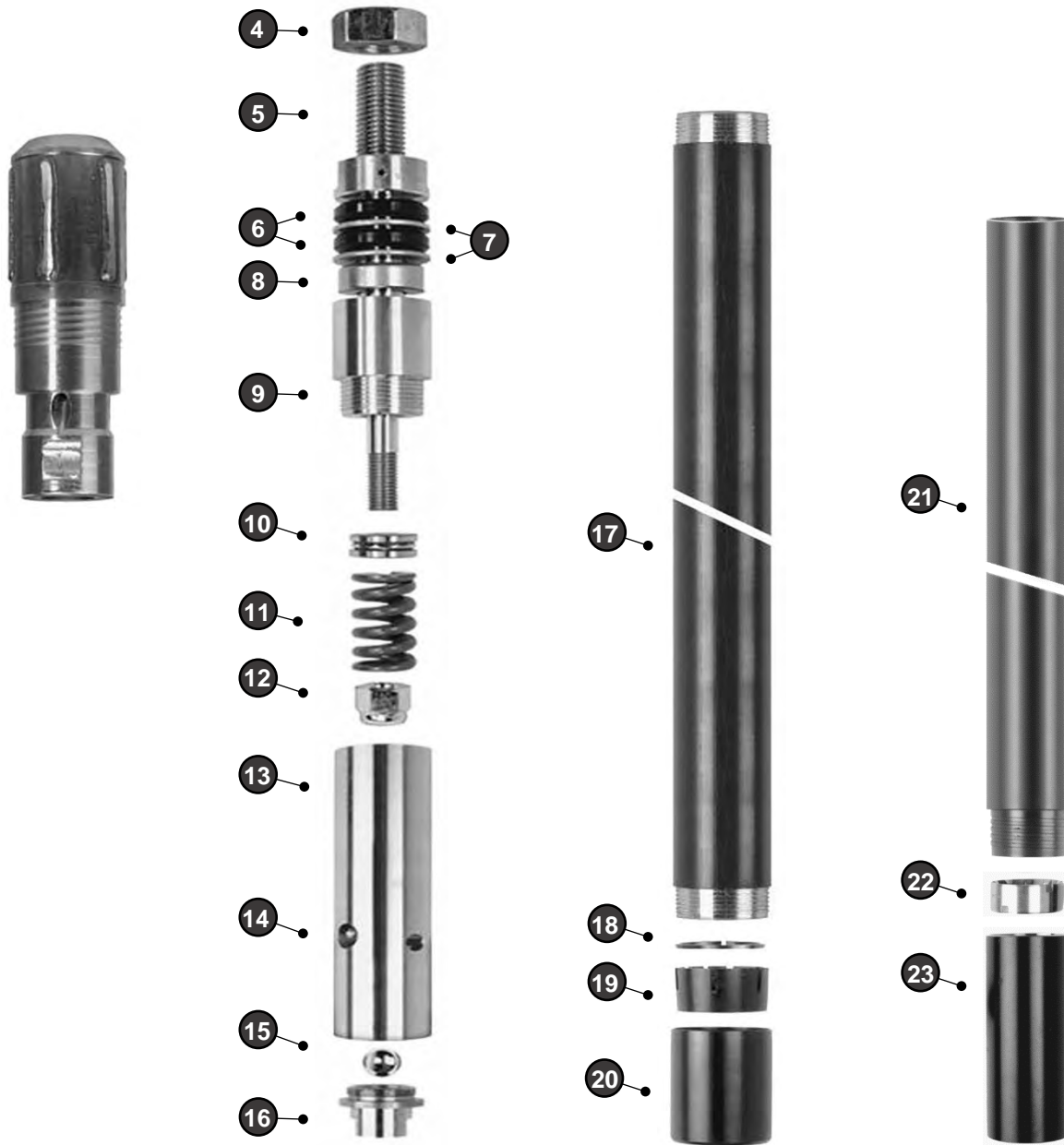
NV 3 Core Barrel

Ref No.	Part No.		Description	Ref No.	Part No.		Description
	5'	10'			5'	10'	
1	36104	36105	Core barrel assembly	15	36025	36025	Steel ball
2	36084	36084	Head – NWJ box	16	36026	36026	Check valve body
3	37076	37076	Bearing assembly	17	36122	36122	Adapter
4	36014	36014	Lock nut	18	36123	36123	Piston plug
5	36015	36015	Spindle assembly	19	36121	36121	"O" ring
6	36016	36016	Shut-off valve (2 req'd.)	20	36120	36120	Piston
7	36017	36017	Valve adjusting washer (2 req'd.)	21	36114	36115	Split tube liner
7	36018	36018	Ball thrust bearing	22	36110	36111	Inner tube
9	36019	36019	Spindle bearing	23	36116	36116	Stop ring
10	36020	36020	Hanger bearing	24	36117	36117	Core lifter (Standard) (other types available, see page 7.49)
11	36021	36021	Compression spring	25	36119	36119	Core lifter case
12	36022	36022	Self lock nut	26	36129	36130	Outer tube
13	36023	36023	Inner tube cap assembly (includes 36024, 36025, 36026)	27	36046	36046	IT stabilizer
14	36024	36024	Grease fitting	28	36047	36047	Thread protector

**NOTE: All barrels have NWJ box connection. Sub required for other rod sizes.
NV 3 Core barrel assembly does not include reamer shell or bit (see *Diamond Bit section*).**

CONVENTIONAL CORE BARRELS

HV Core Barrel





CONVENTIONAL CORE BARRELS

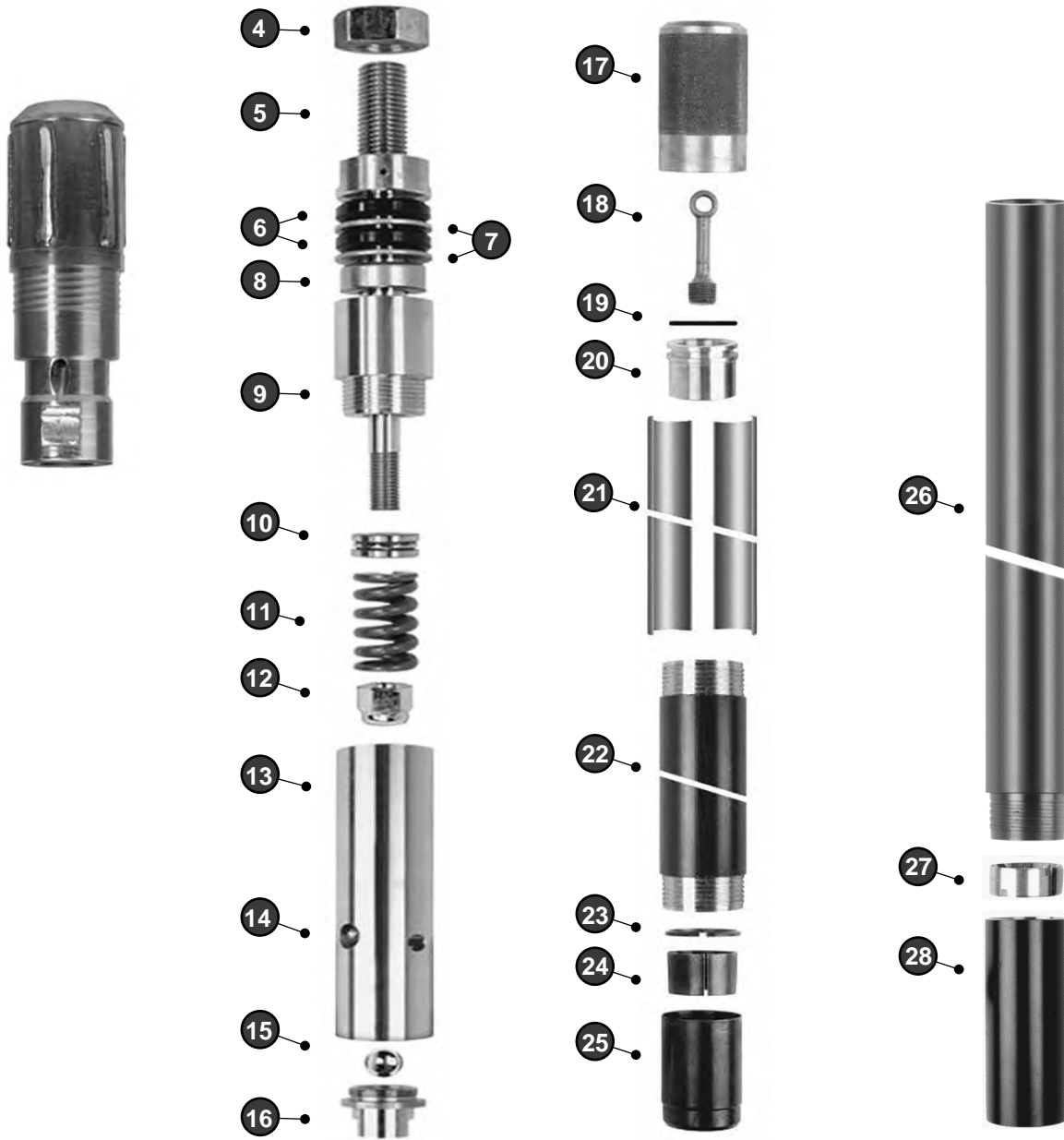
HV Core Barrel

Ref No.	Part No.					Description
	5'	10'	2'	5'	10'	
	Chrome plated		Plain			
1	37061	37062	38095	37073	37074	Core barrel assembly
2	38096	38097	N/A	38098	38099	Core Barrel Assembly - Split Inner Tube
2	37066	37066	37066	37066	37066	Head – NWJ box
3	37078	37078	37078	37078	37078	Bearing assembly
4	37017	37017	37017	37017	37017	Lock nut
5	37018	37018	37018	37018	37018	Spindle assembly
6	37019	37019	37019	37019	37019	Shut-off valve (2 req'd.)
7	37020	37020	37020	37020	37020	Valve adjusting washer (2 req'd.)
8	37021	37021	37021	37021	37021	Ball thrust bearing
9	37022	37022	37022	37022	37022	Spindle bearing
10	36018	36018	36018	36018	36018	Hanger bearing
11	37024	37024	37024	37024	37024	Compression spring
12	37025	37025	37025	37025	37025	Self lock nut
13	37026	37026	37026	37026	37026	Inner tube cap assembly (includes 36024, 36025, 36026)
14	36024	36024	36024	36024	36024	Grease fitting
15	36025	36025	36025	36025	36025	Steel ball
16	36026	36026	36026	36026	36026	Check valve body
17	37031	37032	36417	37045	37046	Inner tube
17	N/A	N/A	N/A	37081	37085	Inner Tube- Split-Plain
18	37033	37033	37033	37033	37033	Stop ring
19	37034	37034	37034	37034	37034	Core lifter (Standard) (other types available, see page 7.49)
20	37036	37036	37036	37036	37036	Core lifter case
21	37041	37042	36418	37067	37068	Outer tube
22	37043	37043	37043	37043	37043	Inner tube stabilizer
23	37044	37044	37044	37044	37044	Thread protector
	37080	37080	37080	37080	37080	Inner Tube Coupling
	37055	37055	37055	37055	37055	Pump-out Adapter

**NOTE: All barrels have NWJ box connection. Sub required for other rod sizes.
If chrome plated, approximately 12" on either end of the outer tube and full length of the inner tube I.D.
HV Core barrel assembly does not include reamer shell or bit (see *Diamond Bit section*).**

CONVENTIONAL CORE BARRELS

HV 3 Core Barrel





CONVENTIONAL CORE BARRELS

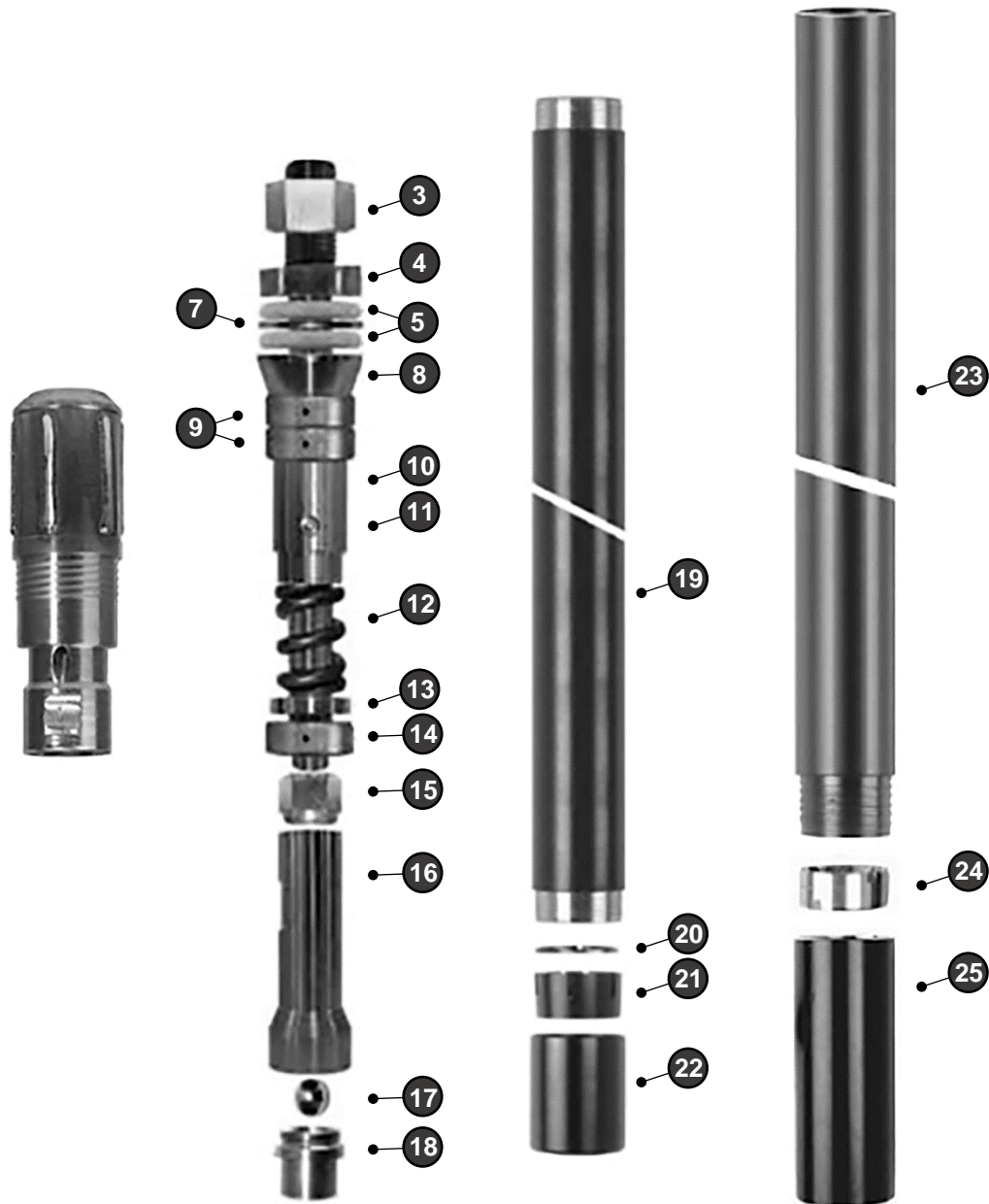
HV 3 Core Barrel

Ref No.	Part No.		Description	Ref No.	Part No.		Description
	5'	10'			5'	10'	
1	37063	37064	Core barrel assembly	15	36025	36025	Steel ball
2	37066	37066	Head – NWJ box	16	36026	36026	Check valve body
3	37078	37078	Bearing assembly	17	37055	37055	Adapter
4	37017	37017	Lock nut	18	36123	36123	Piston plug
5	37018	37018	Spindle assembly	19	37054	37054	"O" ring
6	37019	37019	Shut-off valve (2 req'd.)	20	37053	37053	Piston
7	37020	37020	Valve adjusting washer (2 req'd.)	21	37047	37048	Split tube liner
8	37021	37021	Ball thrust bearing	22	37045	37046	Inner tube
9	37022	37022	Spindle bearing	23	37049	37049	Stop ring
10	37023	37023	Hanger bearing	24	37050	37050	Core lifter (Standard) (other types available, see page 7.49)
11	37024	37024	Compression spring	25	37052	37052	Core lifter case
12	37025	37025	Self lock nut	26	37067	37068	Outer tube
13	37026	37026	Inner tube cap assembly (includes 36024, 36025, 36026)	27	37043	37043	IT stabilizer
14	36024	36024	Grease fitting	28	37044	37044	Thread protector

**NOTE: All barrels have NWJ box connection. Sub required for other rod sizes.
HV 3 Core barrel assembly does not include reamer shell or bit (see *Diamond Bit section*).**

CONVENTIONAL CORE BARRELS

PV Core Barrel





CONVENTIONAL CORE BARRELS

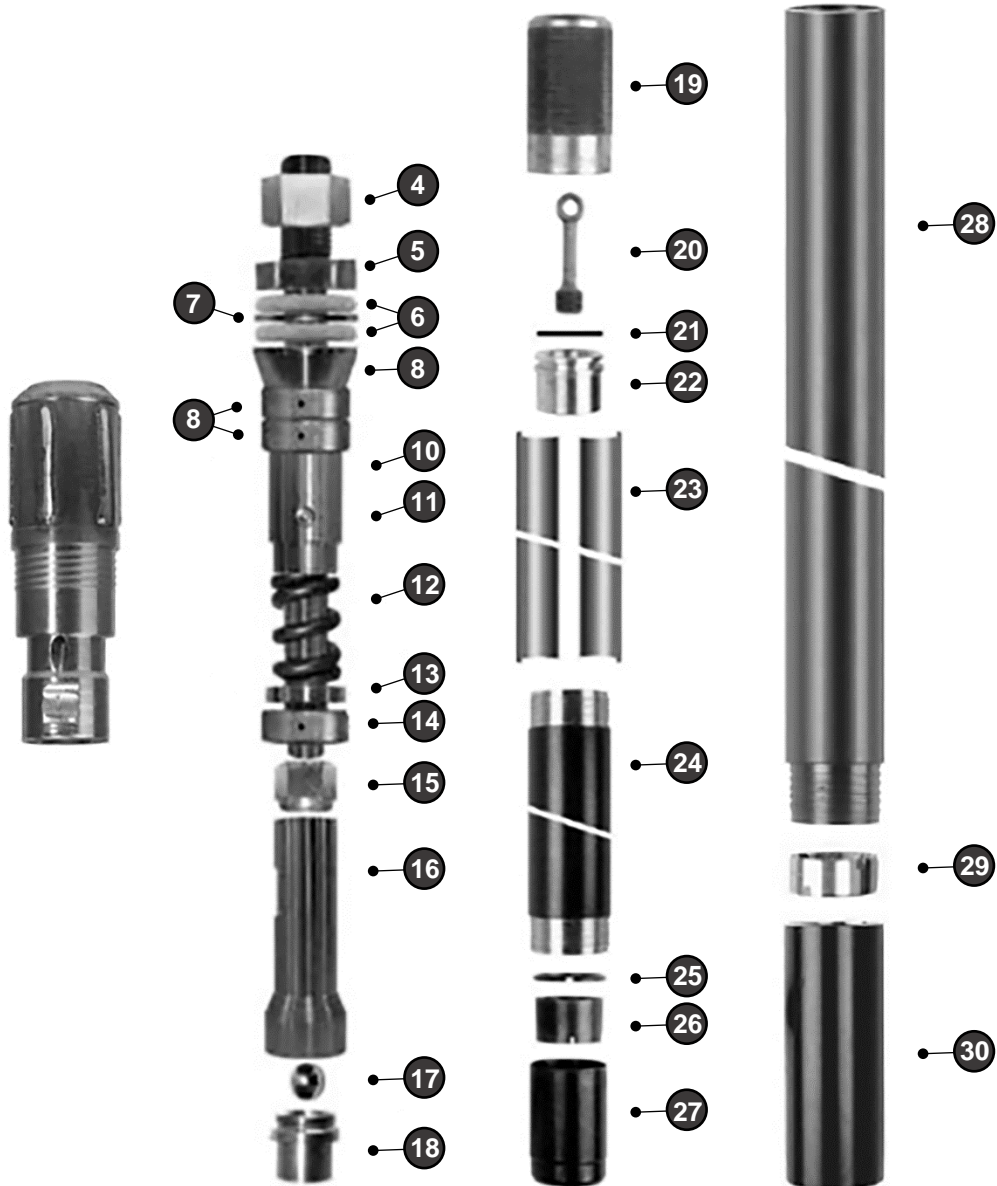
PV Core Barrel

Ref No.	Part No.			Description	Ref No.	Part No.			Description
	2'	5'	10'			2'	5'	10'	
1	38168	38169	38170	Core barrel assembly	14	37021	37021	37021	Ball thrust bearing (2 req'd)
2	38167	38167	38167	Head NWJ box	15	38137	38137	38137	Self lock nut
3	38166	38166	38166	Bearing assembly	16	38138	38138	38138	Inner tube cap assembly (includes 38140, 38141)
4	38131	38131	38131	Lock nut	17	38140	38140	38140	Steel ball
5	38132	38132	38132	Spindle	18	38141	38141	38141	Check valve body
6	38133	38133	38133	Shut-off valve (2 req'd)	19	38164	38142	38143	Inner tube
7	38134	38134	38134	Valve adjusting washer (2 req'd)	20	36185	36185	36185	Stop ring
8	38154	38154	38154	Tapered washer	21*	36186	36186	36186	Core lifter standard) (other types available, see page 7.49)
9	37021	37021	37021	Ball thrust bearing (2 req'd)	22	36188	36188	36188	Core lifter case
10	38135	38135	38135	Spindle bearing	23	38165	38149	38150	Outer tube
11	38139	38139	38139	Grease fitting	24	36224	36224	36224	Inner tube stabilizer
12	38136	38136	38136	Compression spring	25	38153	38153	38153	Thread protector
13	38155	38155	38155	Lower washer		36197	36197	36197	Pump-out adapter

NOTE: PV Core barrel assembly does not include reamer shell or bit (see Diamond Bit section).

CONVENTIONAL CORE BARRELS

PV 3 Core Barrel



2

3

1



CONVENTIONAL CORE BARRELS

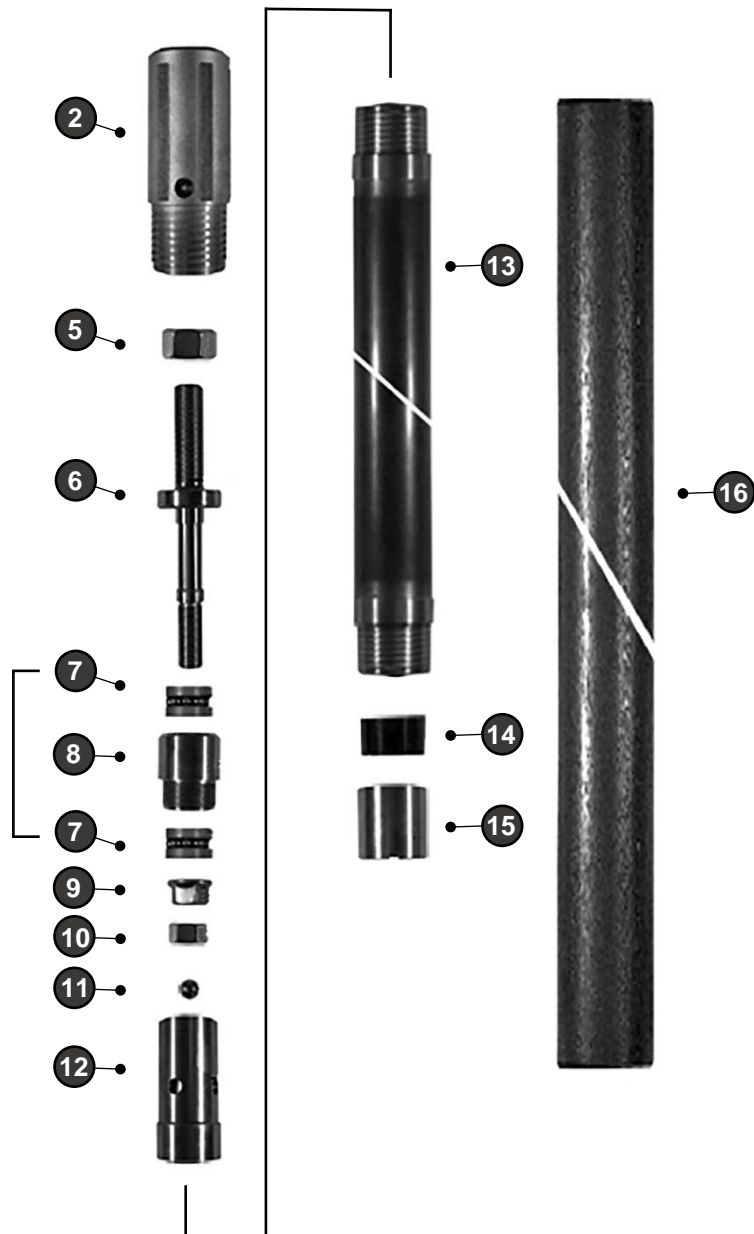
PV 3 Core Barrel

Ref No.	Part No.		Description	Ref No.	Part No.		Description
	5'	10'			5'	10'	
1	38171	38172	Core barrel assembly	16	38138	38138	Inner tube cap assembly (includes 38140, 38141)
2	38167	38167	Head NWJ Box	17	38140	38140	Steel ball
3	38166	38166	Bearing assembly	18	38141	38141	Check valve body
4	38131	38131	Lock nut	19	36197	36197	Pump-out adapter
5	38132	38132	Spindle	20	36198	36198	Piston Plug
6	38133	38133	Shut-off valve (2 req'd)	21	36196	36196	O-ring
7	38134	38134	Valve adjusting washer (2 req'd)	22	36195	36195	Piston
8	38154	38154	Tapered washer	23	36193	36194	Split tube liner
9	37021	37021	Ball thrust bearing (2 req'd)	24	38142	38143	Inner tube
10	38135	38135	Spindle bearing	25	36189	36189	Stop ring
11	38139	38139	Grease fitting	26	36191	36191	Core lifter broached (other types available, see page 7.49)
12	38136	38136	Compression spring	27	36188	36188	Core lifter case
13	38155	38155	Lower washer	28	38149	38150	Outer tube
14	37021	37021	Ball thrust bearing	29	36224	36224	Inner tube stabilizer
15	38137	38137	Self lock nut	30	38153	38153	Thread protector

NOTE: PV 3 Core barrel assembly does not include reamer shell or bit (see *Diamond Bit section*).

CONVENTIONAL CORE BARRELS

NWD4 Core Barrel





CONVENTIONAL CORE BARRELS

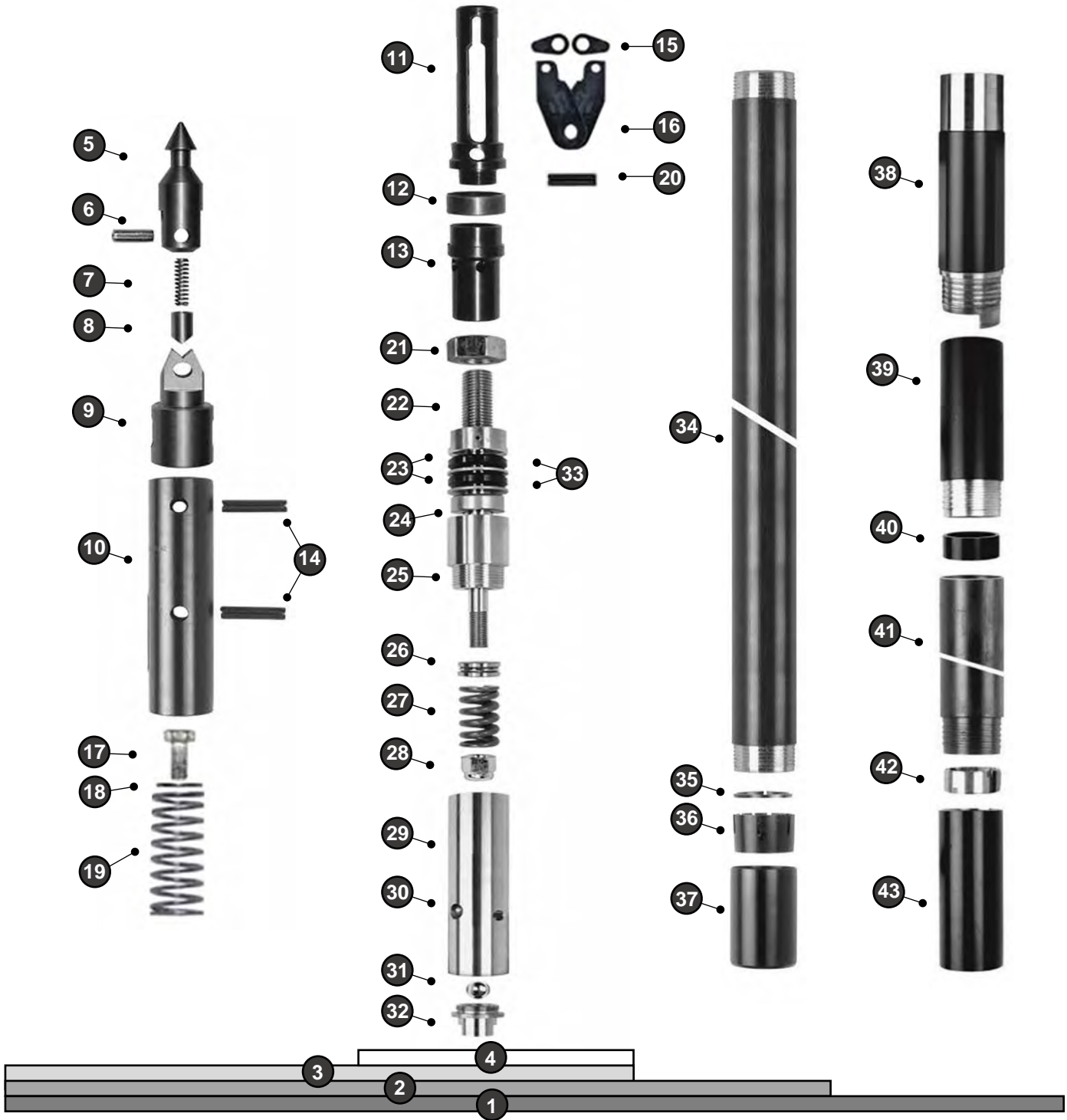
NWD4 Core Barrel

Ref No.	Part No.		Description
	5'	10'	
1	36676	36675	Core barrel assembly- solid inner tube
1	36678	36677	Core barrel assembly- split inner tube
2	36679	36679	Head - NWJ box
3	36680	36680	Grease fitting - included in 36679 head
4	36687	36687	Bearing assy
5	36689	36689	Lock nut
6	36688	36688	Bearing shaft
7	36691	36691	Thrust ball bearing (2 req'd)
8	36690	36690	Bearing retainer
9	36692	36692	Hex nut flanged
10	36693	36693	Hex nut regular
11	36695	36695	Ball
12	36694	36694	Inner tube connector
13	36684	36683	Inner tube - solid
13	36686	36685	Inner tube - split
14	36696	36696	Core lifter skirtless
15	36698	36698	Inner tube shoe
16	36682	36681	Outer tube
	36702	36702	Thread protector (not shown)

NOTE: Note: All Barrels have NWJ box connection. Sub required.
 NWD4 Core Barrel assembly does not include reamer shell or bit.
 (See diamond bit section.)

WIRELINER CORE BARRELS

N W/L Core Barrel (Chrome Plated) - Link





WIRELINE CORE BARRELS

N W/L Core Barrel (Chrome Plated) - Link

Ref No.	Part No.		Description	Ref No.	Part No.		Description
	5'	10'			5'	10'	
1	36001	36002	Core barrel assembly - solid	23	36016*	36016*	Shut-off valve (2 req'd.)
1	36291	36292	Core barrel assembly - split chrome plated outer tube only	24	36018*	36018*	Ball thrust bearing
2	36003	36004	Inner tube assembly - solid	25	36019*	36019*	Spindle bearing
2	36439	36484	Inner tube assembly-split, plain	26	36020*	36020*	Hanger bearing
3	38175	38175	Head assembly - Link	27	36021	36021	Compression spring
4	37076	37076	Bearing assembly	28	36022	36022	Self lock nut
5	36027*	36027*	Spearhead point	29	36023	36023	Inner tube cap assembly (includes 36024, 36025, 36026)
6	36028*	36028*	Spiral pin (.4375" x 1")	30	36024	36024	Grease fitting
7	36029*	36029*	Compression spring	31	36025	36025	Steel ball
8	36030*	36030*	Detent plunger	32	36026	36026	Check valve body
9	36031	36031	Spearhead base	33	36017	36017	Valve adjusting washer (2 req'd.)
10	38072	38072	Latch retracting case	34	36034	36035	Inner tube - solid
11	38076*	38076*	Upper latch body	34	36125	36126	Inner tube- Split, plain
12	36012*	36012*	Landing shoulder	35	36036	36036	Stop ring
13	36013	36013	Lower latch body	36	36037	36037	Core lifter (Standard) (other types available, see page 7.49)
14	36032*	36032*	Spiral pin (2 req'd.)	37	36039	36039	Core lifter case
15	38077*	38077*	Link (2 req'd.)	38	36040	36040	Locking coupling full hole (other types available, see page 7.49)
16	38078*	38078*	Latch (2 req'd.)	39	36042	36042	Adapter coupling
17	38073*	38073*	Nyloc bolt 3/8" – 16 x 3/4"	40	36043	36043	Landing ring
18	38074*	38074*	Washer	41	36044	36045	Outer tube
19	38075*	38075*	Latch compression spring	42	36046	36046	Inner tube stabilizer
20	36009*	36009*	Spring pin (.50" x 1.5")	43	36047	36047	Thread protector
21	36014	36014	Lock nut		36260	36260	Inner tube coupling
22	36015	36015	Spindle			38179	Rebuild kit head assembly

NOTE: All barrels have N W/L rod box connection.

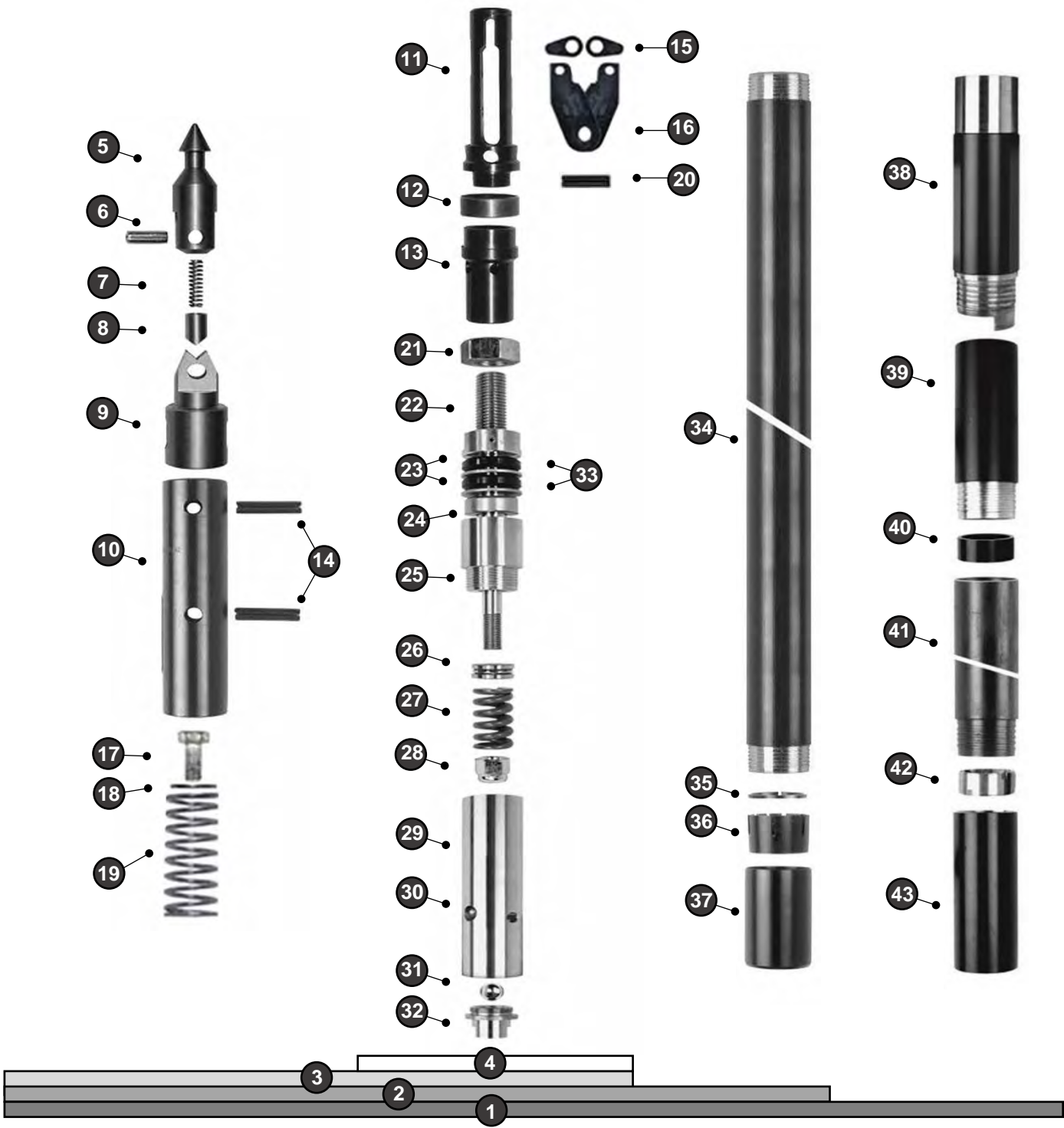
Chrome plated, approximately 12" on either end of the outer tube and full length of the inner tube I.D.

N W/L Core barrel assembly does not include reamer shell or bit (see Diamond Bit section).

*** Items included in Rebuild Kit Head Assembly (38179).**

WIRELINE CORE BARRELS

N W/L Core Barrel (Plain) - Link



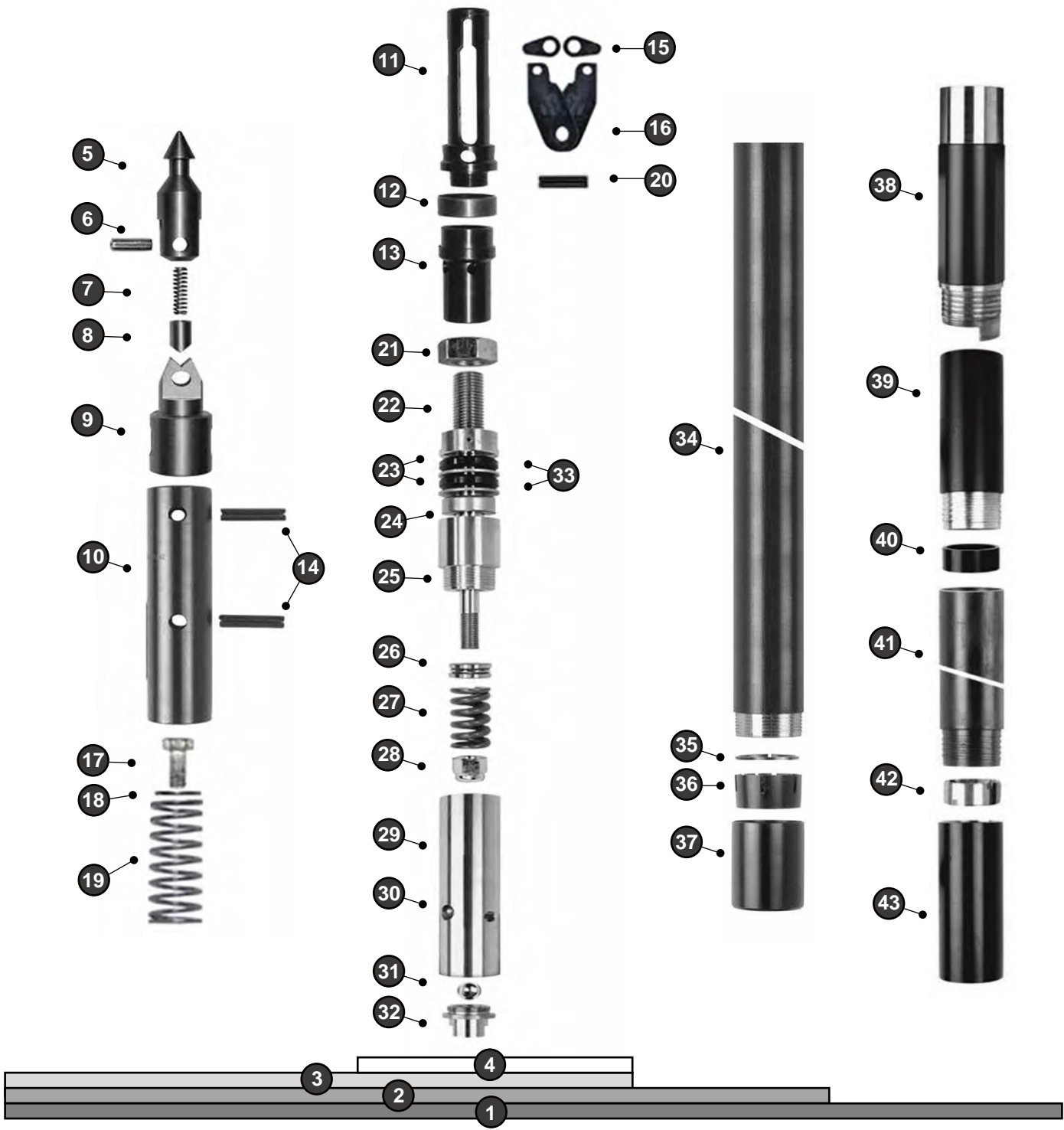


WIRELINE CORE BARRELS									
N W/L Core Barrel (Plain) - Link									
Ref No.	Part No.			Description	Ref No.	Part No.			Description
	2'	5'	10'			2'	5'	10'	
1	36436	36131	36132	Core barrel assembly - solid	24	36018*	36018*	36018*	Ball thrust bearing
1	N/A	36438	36488	Core barrel assembly - split	25	36019*	36019*	36019*	Spindle bearing
2	36437	36133	36134	Inner tube assembly - solid	26	36020*	36020*	36020*	Hanger bearing
2	N/A	36439	36484	Inner tube assembly - Split	27	36021	36021	36021	Compression spring
3	38175	38175	38175	Head assembly - Link	28	36022	36022	36022	Self lock nut
4	37076	37076	37076	Bearing assembly	29	36023	36023	36023	Inner tube cap assembly (includes 36024, 36025, 36026)
5	36027*	36027*	36027*	Spearhead point	30	36024	36024	36024	Grease fitting
6	36028*	36028*	36028*	Spiral pin (.4375" x 1")	31	36025	36025	36025	Steel ball
7	36029*	36029*	36029*	Compression spring	32	36026	36026	36026	Check valve body
8	36030*	36030*	36030*	Detent plunger	33	36017	36017	36017	Valve adjusting washer (2 req'd.)
9	36031	36031	36031	Spearhead base	34	36411	36110	36111	Inner tube - solid
10	38072	38072	38072	Latch retracting case	34	N/A	36125	36126	Inner tube- Split
11	38076	38076	38076	Upper latch body	35	36036	36036	36036	Stop ring
12	36012*	36012*	36012*	Landing shoulder	36	36037	36037	36037	Core lifter (Standard) (other types available, see page 7.49)
13	36013	36013	36013	Lower latch body	37	36039	36039	36039	Core lifter case
14	36032*	36032*	36032*	Spiral pin (2 req'd.)	38	36040	36040	36040	Locking coupling full hole (other types available, see page 7.49)
15	38077*	38077*	38077*	Link (2 req'd.)	39	36042	36042	36042	Adapter coupling
16	38078*	38078*	38078*	Latch (2 req'd.)	40	36043	36043	36043	Landing ring
17	38073*	38073*	38073*	Nyloc bolt 3/8" – 16 x 3/4"	41	36410	36129	36130	Outer tube
18	38074*	38074*	38074*	Washer	42	36046	36046	36046	Inner tube stabilizer
19	38075*	38075*	38075*	Latch compression spring	43	36047	36047	36047	Thread protector
20	36009*	36009*	36009*	Spring pin (.50" x 1.5")		36260	36260	36260	Inner tube coupling
21	36014	36014	36014	Lock nut				38179	Rebuild kit head assembly
22	36015	36015	36015	Spindle					
23	36016*	36016*	36016*	Shut-off valve (2 req'd.)					

NOTE: All barrels have N W/L rod box connection.
N W/L Core barrel assembly does not include reamer shell or bit (see Diamond Bit section).
*** Items included in Rebuild Kit Head Assembly (38179).**

WIRELINER CORE BARRELS

N W/L 2 Core Barrel (Chrome Plated) - Link



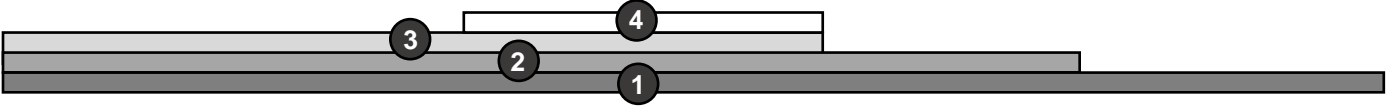
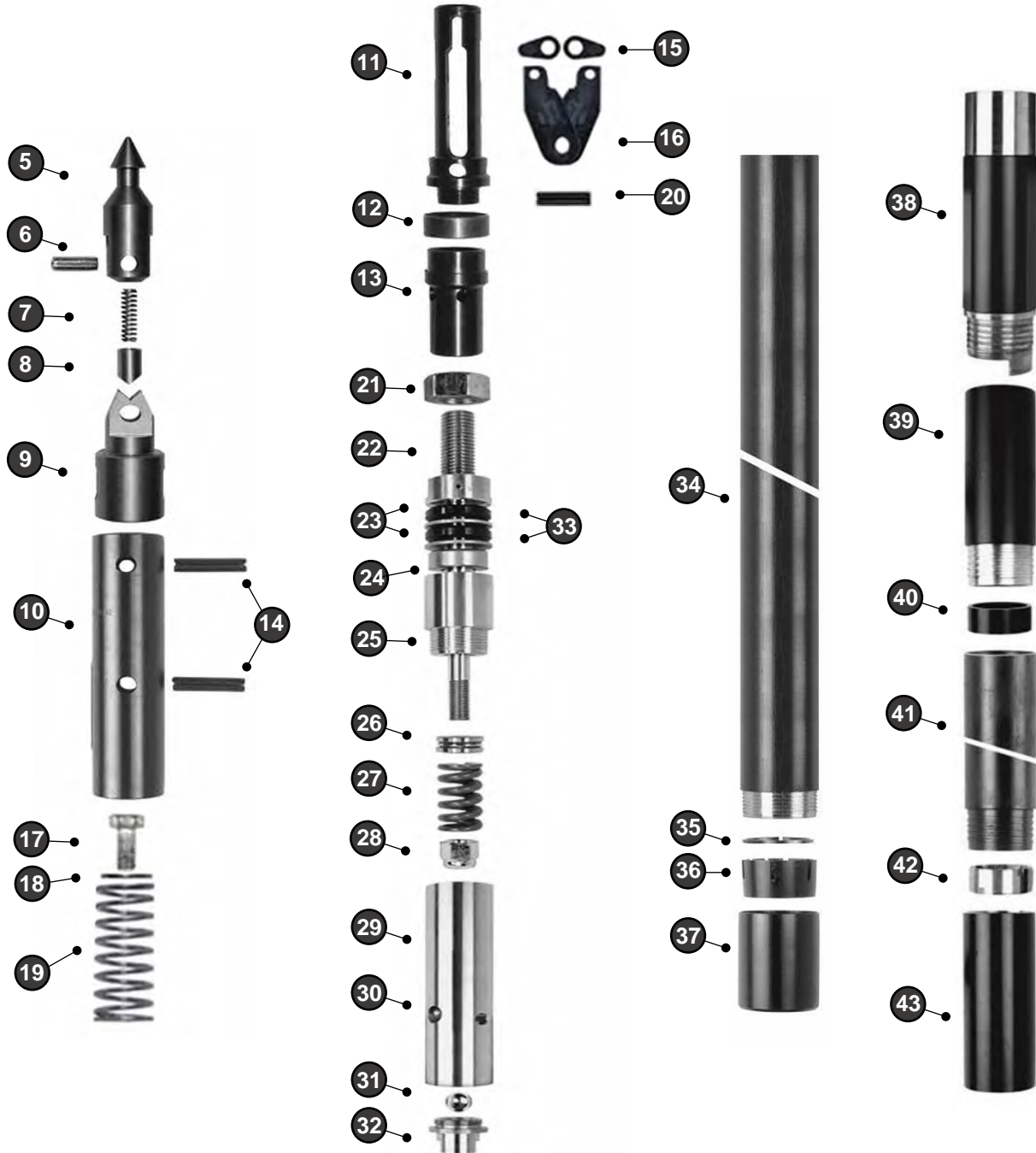


WIRELINE CORE BARRELS							
N W/L 2 Core Barrel (Chrome Plated) - Link							
Ref No.	Part No.		Description	Ref No.	Part No.		Description
	5'	10'			5'	10'	
1	36067	36068	Core barrel assembly - solid	24	36018*	36018*	Ball thrust bearing
1	36746	N/A	Core barrel assembly - split	25	36019*	36019*	Spindle bearing
2	36069	36070	Inner tube assembly - solid	26	36020*	36020*	Hanger bearing
2	36489	N/A	Inner tube assembly - split, plain	27	36021	36021	Compression spring
3	38071	38071	Head assembly - Link	28	36022	36022	Self lock nut
4	37077	37077	Bearing assembly	29	36074	36074	Inner tube cap assembly (includes 36024, 36025, 36026)
5	36027*	36027*	Spearhead point	29	36428	N/A	Inner tube cap assembly - split inner tube (includes 36024, 36025, 36026)
6	36028*	36028*	Spiral pin (.4375" x 1")	30	36024	36024	Grease fitting
7	36029*	36029*	Compression spring	31	36025	36025	Steel ball
8	36030*	36030*	Detent plunger	32	36026	36026	Check valve body
9	36031	36031	Spearhead base	33	36017	36017	Valve adjusting washer (2 req'd.)
10	38072	38072	Latch retracting case	34	36075	36076	Inner tube - solid
11	38076	38076	Upper latch body	34	36427	N/A	Inner tube - split, plain
12	36072*	36072*	Landing shoulder	35	36077	36077	Stop ring
13	36013	36013	Lower latch body	36	36078	36078	Core lifter (Standard) (other types available, see page 7.49)
14	36032*	36032*	Spiral pin (2 req'd.)	37	36079	36079	Core lifter case
15	38077*	38077*	Link (2 req'd.)	38	36040	36040	Locking coupling full hole (other types available, see page 7.49)
16	38078*	38078*	Latch (2 req'd.)	39	36042	36042	Adapter coupling
17	38073*	38073*	Nyloc bolt 3/8" – 16 x 3/4"	40	36080	36080	Landing ring
18	38074*	38074*	Washer	41	36044	36045	Outer tube
19	38075*	38075*	Latch compression spring	42	36081	36081	Inner tube stabilizer
20	36009*	36009*	Spring pin (.50" x 1.5")	43	36047	36047	Thread protector
21	36014	36014	Lock nut		36124	36246	Inner tube extenders
22	36015	36015	Spindle		36261	36261	Pump-out adapter
23	36016*	36016*	Shut-off valve (2 req'd.)			38180	Rebuild kit head assembly

NOTE: All barrels have N W/L rod box connection.
 Chrome plated, approximately 12" on either end of the outer tube and full length of the inner tube I.D.
 N W/L 2 Core barrel assembly does not include reamer shell or bit (see *Diamond Bit section*).
 * Items included in Rebuild Kit Head Assembly (38180).

WIRELINE CORE BARRELS

N W/L 2 Core Barrel (Plain) - Link



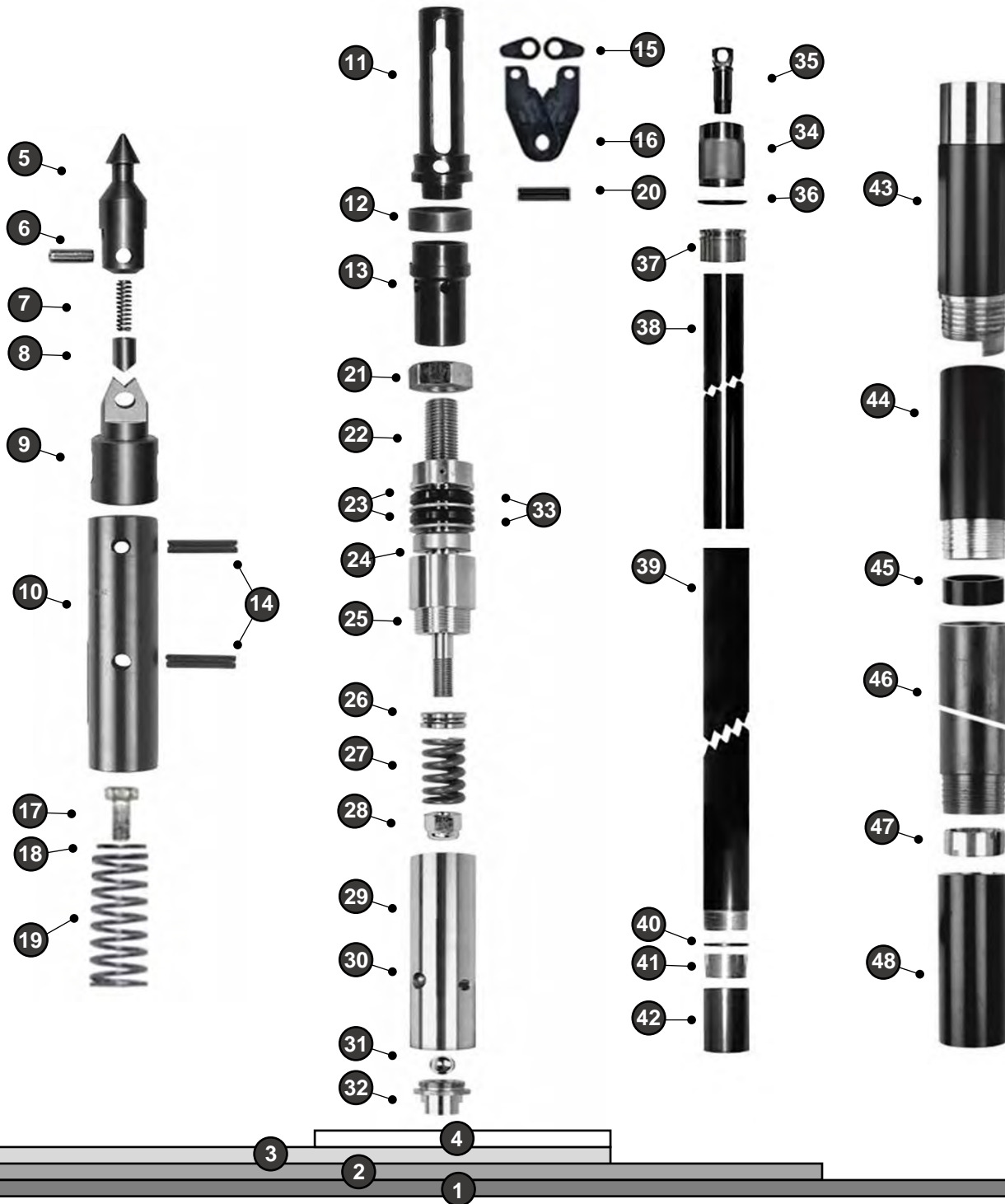


WIRELINER CORE BARRELS									
N W/L 2 Core Barrel (Plain) - Link									
Ref No.	Part No.			Description	Ref No.	Part No.			Description
	2'	5'	10'			2'	5'	10'	
1	36425	36135	36136	Core barrel assembly - solid	24	36018*	36018*	36018*	Ball thrust bearing
1	N/A	36747	N/A	Core barrel assembly - Split	25	36019*	36019*	36019*	Spindle bearing
2	36426	36137	36138	Inner tube assembly - Solid	26	36020*	36020*	36020*	Hanger bearing
2	N/A	36489	N/A	Inner tube assembly - Split	27	36021	36021	36021	Compression spring
3	38071	38071	38071	Head assembly - Link	28	36022	36022	36022	Self lock nut
4	37077*	37077*	37077*	Bearing assembly	29	36074	36074	36074	Inner tube cap assembly (includes 36024, 36025, 36026)
5	36027*	36027*	36027*	Spearhead point	29	N/A	36428	N/A	Inner tube cap assembly- Split inner tube (includes 36024, 36025, 36026)
6	36028*	36028*	36028*	Spiral pin (.4375" x 1")	30	36024	36024	36024	Grease fitting
7	36029*	36029*	36029*	Compression spring	31	36025	36025	36025	Steel ball
8	36030*	36030*	36030*	Detent plunger	32	36026	36026	36026	Check valve body
9	36031	36031	36031	Spearhead base	33	36017	36017	36017	Valve adjusting washer (2 req'd.)
10	38072	38072	38072	Latch retracting case	34	36412	36112	36113	Inner tube- solid
11	38076	38076	38076	Upper latch body	34	N/A	36427	N/A	Inner tube- Split
12	36072*	36072*	36072*	Landing shoulder	35	36077	36077	36077	Stop ring
13	36013	36013	36013	Lower latch body	36	36078	36078	36078	Core lifter (Standard) (other types available, see page 7.49)
14	36032*	36032*	36032*	Spiral pin (2 req'd.)	37	36079	36079	36079	Core lifter case
15	38077*	38077*	38077*	Link (2 req'd.)	38	36040	36040	36040	Locking coupling full hole (other types available, see page 7.49)
16	38078*	38078*	38078*	Latch (2 req'd.)	39	36042	36042	36042	Adapter coupling
17	38073*	38073*	38073*	Nyloc bolt 3/8" – 16 x 3/4"	40	36080	36080	36080	Landing ring
18	38074*	38074*	38074*	Washer	41	36410	36129	36130	Outer Tube
19	38075*	38075*	38075*	Latch compression spring	42	36081	36081	36081	Inner tube stabilizer
20	36009*	36009*	36009"	Spring pin (.50" x 1.5")	43	36047	36047	36047	Thread protector
21	36014	36014	36014	Lock nut		36261	36261	36261	Pump-out adapter
22	36015	36015	36015	Spindle				38180	Rebuild kit head assembly
23	36016*	36016*	36016*	Shut-off valve (2 req'd.)					

NOTE: All barrels have N W/L rod box connection.
 N W/L Core barrel assembly does not include reamer shell or bit (see *Diamond Bit section*).
 * Items included in Rebuild Kit Head Assembly (38180).

WIRELINER CORE BARRELS

N W/L 3 Core Barrel - Link



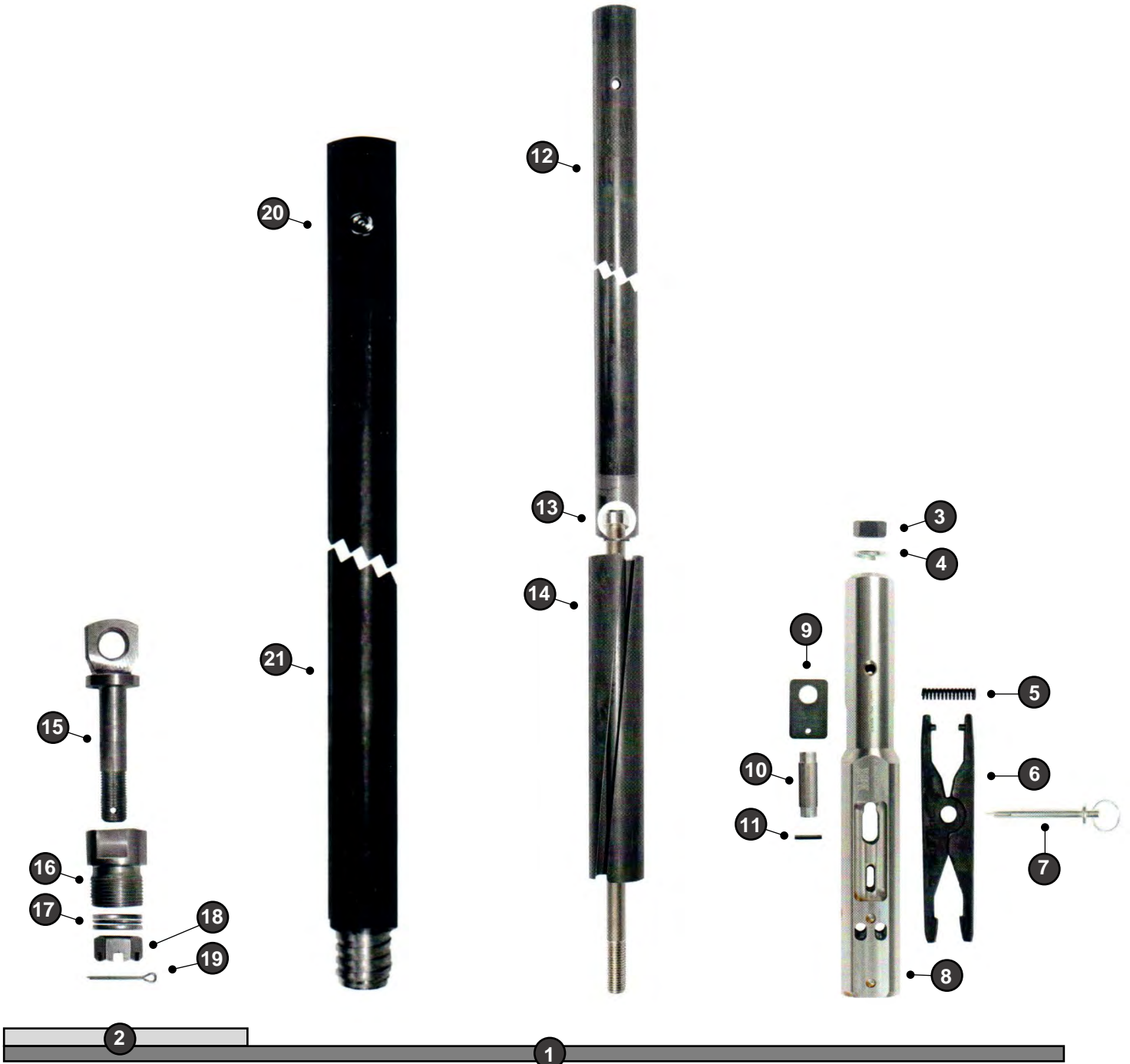


WIRELINE CORE BARRELS							
N W/L 3 Core Barrel - Link							
Ref No.	Part No.		Description	Ref No.	Part No.		Description
	5'	10'			5'	10'	
1	36106	36107	Core barrel assembly	26	36020*	36020*	Hanger bearing
2	36108	36109	Inner tube assembly	27	36021	36021	Compression spring
3	38175	38175	Head assembly - Link	28	36022	36022	Self lock nut
4	37076	37076	Bearing assembly	29	36023	36023	Inner tube cap assembly (includes 36024, 36025, 36026)
5	36027*	36027*	Spearhead point	30	36024	36024	Grease fitting
6	36028*	36028*	Spiral pin (.4375" x 1")	31	36025	36025	Steel ball
7	36029*	36029*	Compression spring	32	36026	36026	Check valve body
8	36030*	36030*	Detent plunger	33	36017	36017	Valve adjusting washer (2 req'd.)
9	36031	36031	Spearhead base	34	36122	36122	Adapter
10	38072	38072	Latch retracting case	35	36123	36123	Piston plug
11	38076	38076	Upper latch body	36	36121	36121	"O" ring
12	36012*	36012*	Landing shoulder	37	36120	36120	Piston
13	36013	36013	Lower latch body	38	36114	36115	Split tube liner
14	36032*	36032*	Spiral pin (2 req'd.)	39	36110	36111	Inner tube - solid
15	38077*	38077*	Link (2 req'd.)	40	36116	36116	Stop ring
16	38078*	38078*	Latch (2 req'd.)	41	36117	36117	Core lifter (Standard) (other types available, see page 7.49)
17	38073*	38073*	Nyloc bolt 3/8" – 16 x 3/4"	42	36119	36119	Core lifter case
18	38074*	38074*	Washer	43	36040	36040	Locking coupling full hole (other types available, see page 7.49)
19	38075*	38075*	Latch compression spring	44	36042	36042	Adapter coupling
20	36009*	36009*	Spring pin (.50" x 1.5")	45	36043	36043	Landing ring
21	36014	36014	Lock nut	46	36129	36130	Outer tube
22	36015	36015	Spindle	47	36046	36046	IT stabilizer
23	36016*	36016*	Shut-off valve (2 req'd.)	48	36047	36047	Thread protector
24	36018*	36018*	Ball thrust bearing			38179	Rebuild kit head assembly
25	36019*	36019*	Spindle bearing				

NOTE: All barrels have N W/L rod box connection.
N W/L 3 Core barrel assembly does not include reamer shell or bit (see Diamond Bit section).
*** Items included in Rebuild Kit Head Assembly (38179).**

WIRELINER CORE BARRELS

N W/Lock Overshot Assembly





WIRELINER CORE BARRELS

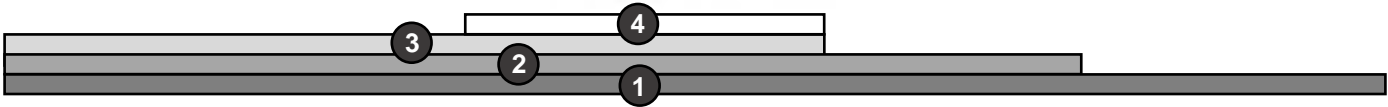
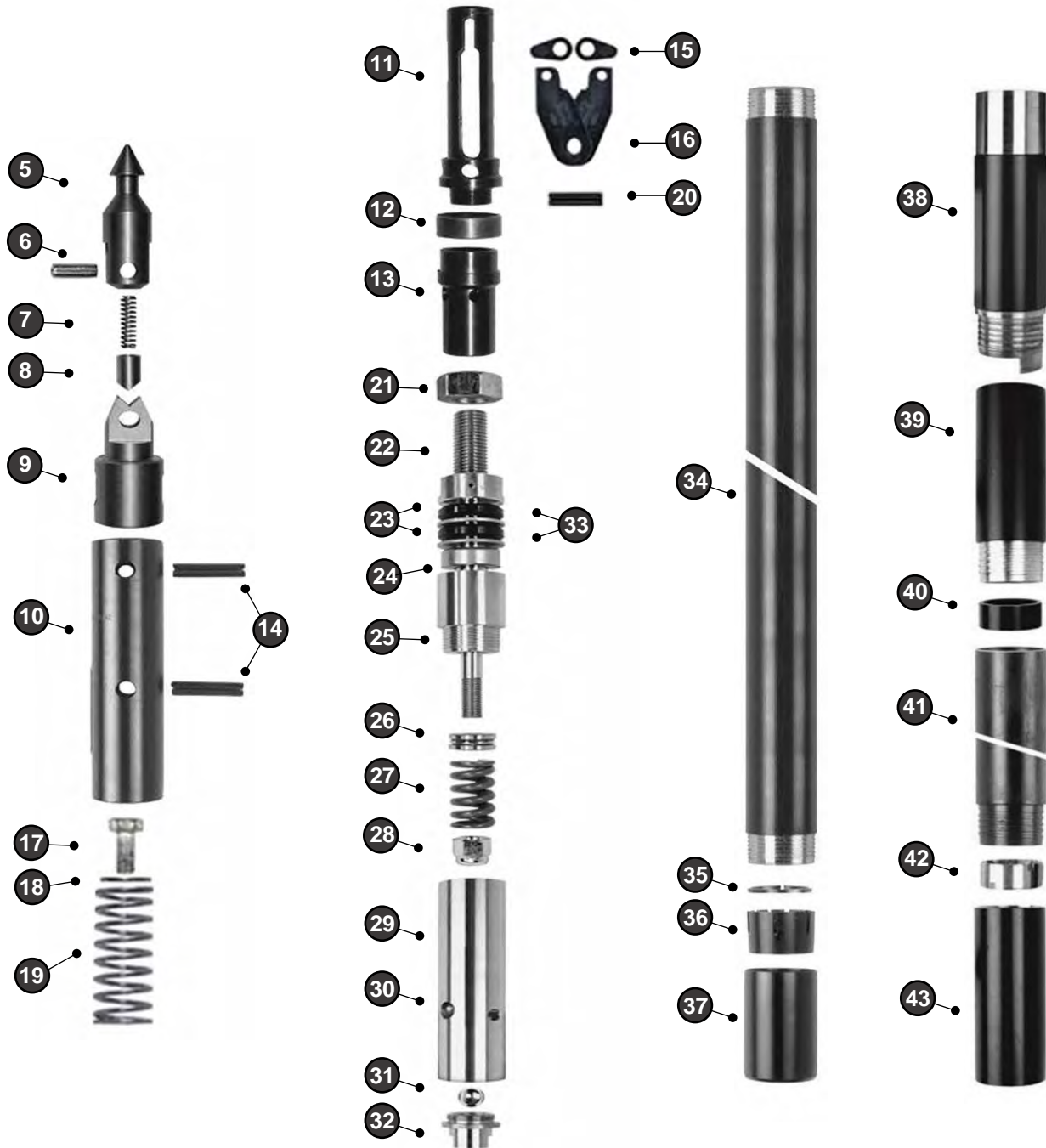
N W/Lock Overshot Assembly

Ref No.	Part No.	Description
1	38060	Overshot Assembly - Lock
1	36346	Overshot assembly - short
2	36049	Cable Swivel Assembly
3	36300	Nut 3/4" - 10
4	38065	Spring lock washer
5	36062	Lifting dog spring
6	36063	Lifting dog (2)
7	38066	Overshot locking pin
8	38061	Overshot head
9	38161	Guiding plate (2)
10	38067	Lifting dog pivot pin (1/2" x 1-15/16")
11	38068	Spring pin (1) (3/16" x 1-7/8")
12	38062	Jar tube weldment
13	38064	Jar staff
14	36060	Locking sleeve
15	36051	Eye bolt
16	36052	Cable swivel collar
17	36053	Needle thrust bearing
18	36054	Nut
19	36055	Cotter pin (3/32" x 1")
20	36024	Grease fitting
21	36056	Cable swivel body
21	36249	Cable swivel body 4" shoulder

NOTE: Locking sleeve is used in dry hole only. It must be removed when hoisting inner tube.

WIRELINE CORE BARRELS

H W/L Core Barrel (Chrome Plated) - Link



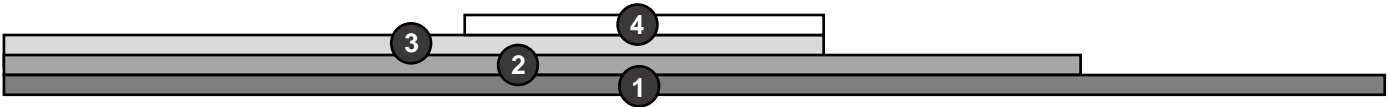
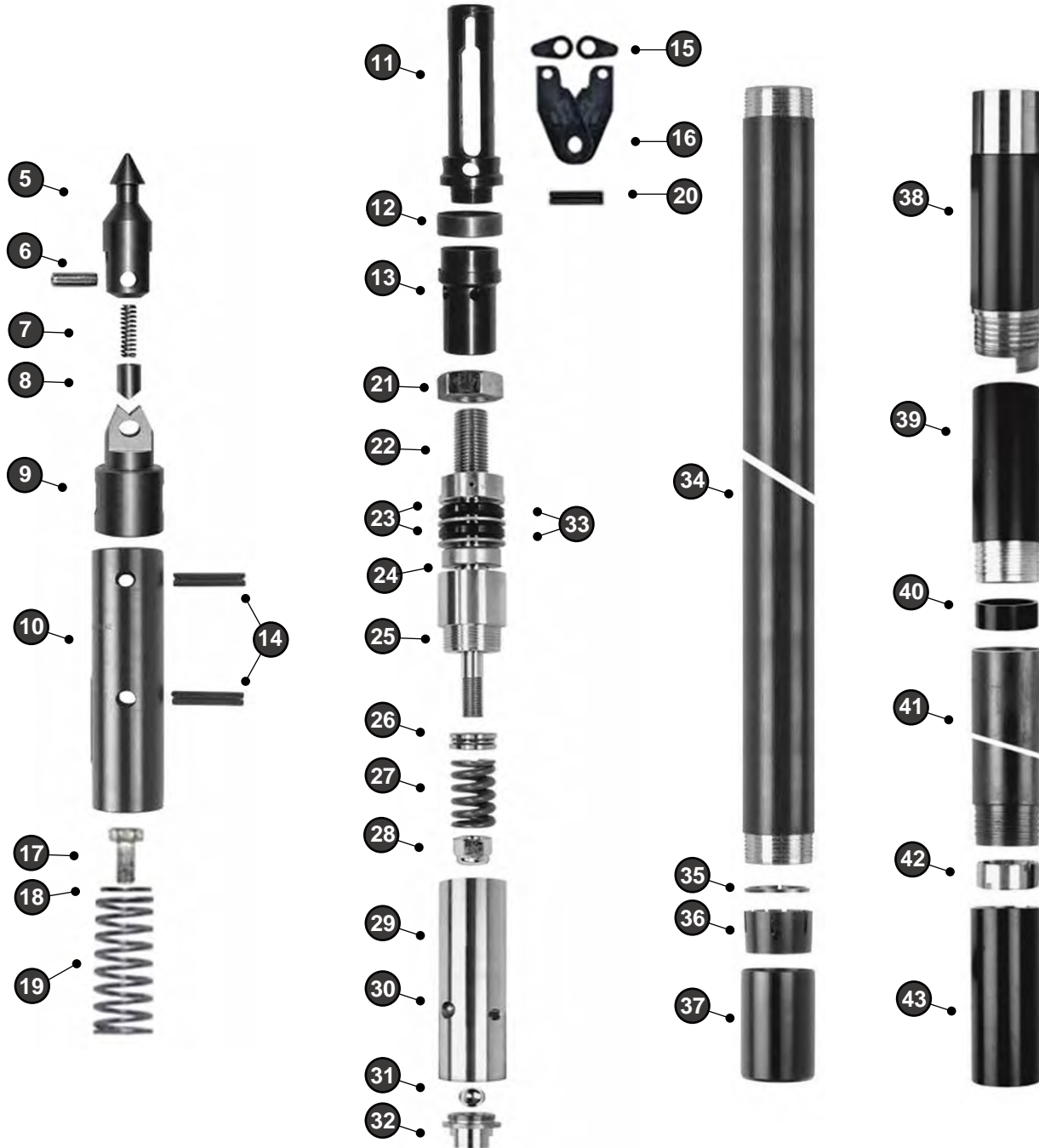


WIRELINE CORE BARRELS							
H W/L Core Barrel (Chrome Plated) - Link							
Ref No.	Part No.		Description	Ref No.	Part No.		Description
	5'	10'			5'	10'	
1	37000	37001	Core barrel assembly	24	37021*	37021*	Ball thrust bearing (2 req'd.)
1	37086	37087	Core barrel assembly - split	25	37022*	37022*	Spindle bearing
2	37002	37003	Inner tube assembly	26	36018*	36018*	Hanger bearing
2	37088	37089	Inner tube assembly - split, plain	27	37024	37024	Compression spring
3	38176	38176	Head assembly - Link	28	37025	37025	Self lock nut
4	37078	37078	Bearing assembly	29	37026	37026	Inner tube cap assembly (includes 36024, 36025, 36026)
5	36027*	36027*	Spearhead point	30	36024	36024	Grease fitting
6	36028*	36028*	Spiral pin (.4375" x 1")	31	36025	36025	Steel ball
7	36029*	36029*	Compression spring	32	36026	36026	Check valve body
8	36030*	36030*	Detent plunger	33	37020	37020	Valve adjusting washer (2 req'd.)
9	38090	38090	Spearhead base	34	37031	37032	Inner tube
10	38122	38122	Latch retracting case	34	37081	37085	Inner tube- Split, plain
11	38126	38126	Upper latch body	35	37033	37033	Stop ring
12	37015*	37015*	Landing shoulder	36	37034	37034	Core lifter (Standard) (other types available, see page 7.49)
13	38177	38177	Lower latch body	37	37036	37036	Core lifter case
14	37029*	37029*	Spring pin (2 req'd.)	38	37037	37037	Locking coupling full hole (Standard) (other types available, see page 7.49)
15	38127*	38127*	Link (2 req'd.)	39	37039	37039	Adapter coupling
16	38178*	38178*	Latch (2 req'd.)	40	37040	37040	Landing ring
17	38073*	38073*	Nyloc bolt 3/8" – 16 x 3/4"	41	37041	37042	Outer tube
18	38124*	38124*	Washer	42	37043	37043	Inner tube stabilizer
19	38125*	38125*	Latch compression ring	43	37044	37044	Thread protector
20	36032*	36032*	Spring pin (.50" x 2")			38181*	Rebuild kit-Head assembly
21	37017	37017	Lock nut			37080	Inner tube coupling
22	37018	37018	Spindle				
23	37019*	37019*	Shut-off valve (2 req'd.)				

NOTE: All barrels have H W/L rod box connection.
Chrome plated, approximately 12" on either end of the outer tube and full length of the inner tube I.D.
H W/L Core barrel assembly does not include reamer shell or bit (see Diamond Bit section).
*** Items included in Rebuild Kit Head Assembly (38181).**

WIRELINE CORE BARRELS

H W/L Core Barrel (Plain) - Link



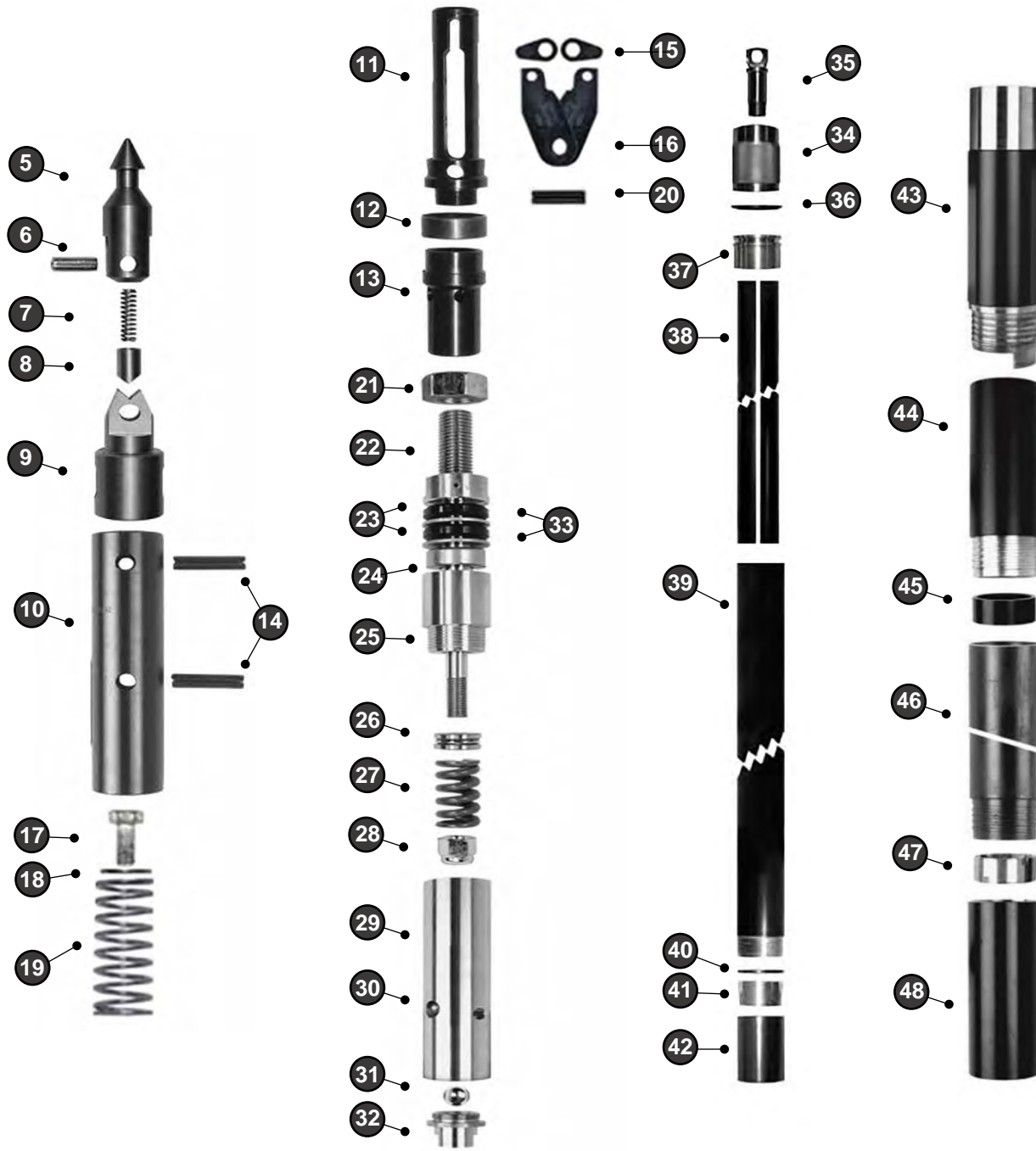


WIRELINER CORE BARRELS									
H W/L Core Barrel (Plain) - Link									
Ref No.	Part No.			Description	Ref No.	Part No.			Description
	2'	5'	10'			2'	5'	10'	
1	36468	37069	37070	Core barrel assembly - solid	23	37019*	37019*	37019*	Shut-off valve (2 req'd.)
1	N/A	38087	38088	Core barrel assembly - split	24	37021*	37021*	37021*	Ball thrust bearing (2 req'd.)
2	36469	37071	37072	Inner tube assembly - solid	25	37022*	37022*	37022*	Spindle bearing
2	N/A	37088	37089	Inner tube assembly - split	26	36018*	36018*	36018*	Hanger bearing
3	38176	38176	38176	Head assembly - Link	27	37024	37024	37024	Compression spring
4	37078	37078	37078	Bearing assembly	28	37025	37025	37025	Self lock nut
5	36027*	36027*	36027*	Spearhead point	29	37026	37026	37026	Inner tube cap assembly (includes 36024, 36025, 36026)
6	36028*	36028*	36028*	Spiral pin (.4375" x 1")	30	36024	36024	36024	Grease fitting
7	36029*	36029*	36029*	Compression spring	31	36025	36025	36025	Steel ball
8	36030*	36030*	36030*	Detent plunger	32	36026	36026	36026	Check valve body
9	38090	38090	38090	Spearhead base	33	37020	37020	37020	Valve adjusting washer (2 req'd.)
10	38122	38122	38122	Latch retracting case	34	36417	37045	37046	Inner tube - solid
11	38126	38126	38126	Upper latch body	34	N/A	37081	37085	Inner tube - split
12	37015*	37015*	37015*	Landing shoulder	35	37033	37033	37033	Stop ring
13	38177	38177	38177	Lower latch body	36	37034	37034	37034	Core lifter (Standard) (other types available, see page 7.49)
14	37029*	37029*	37029*	Spring pin (2 req'd.)	37	37036	37036	37036	Core lifter case
15	38127*	38127*	38127*	Link (2 req'd.)	38	37037	37037	37037	Locking coupling full hole (other types available, see page 7.49)
16	38178*	38178*	38178*	Latch (2 req'd.)	39	37039	37039	37039	Adapter coupling
17	38073*	38073*	38073*	Nyloc bolt 3/8" – 16 x 3/4"	40	37040	37040	37040	Landing ring
18	38124*	38124*	38124*	Washer	41	36418	37067	37068	Outer tube
19	38125*	38125*	38125*	Latch compression spring	42	37043	37043	37043	Inner tube stabilizer
20	36032*	36032*	36032*	Spring pin (.50" x 2")	43	37044	37044	37044	Thread protector
21	37017	37017	37017	Lock nut				38181*	Rebuild Kit- Head assembly
22	37018	37018	37018	Spindle				37080	Inner tube coupling (not shown)

**NOTE: All barrels have H W/L rod box connection.
H W/L Core barrel assembly does not include reamer shell or bit (see Diamond Bit section).
* Items included in Rebuild Kit Head Assembly (38181).**

WIRELINER CORE BARRELS

H W/L 3 Core Barrel - Link



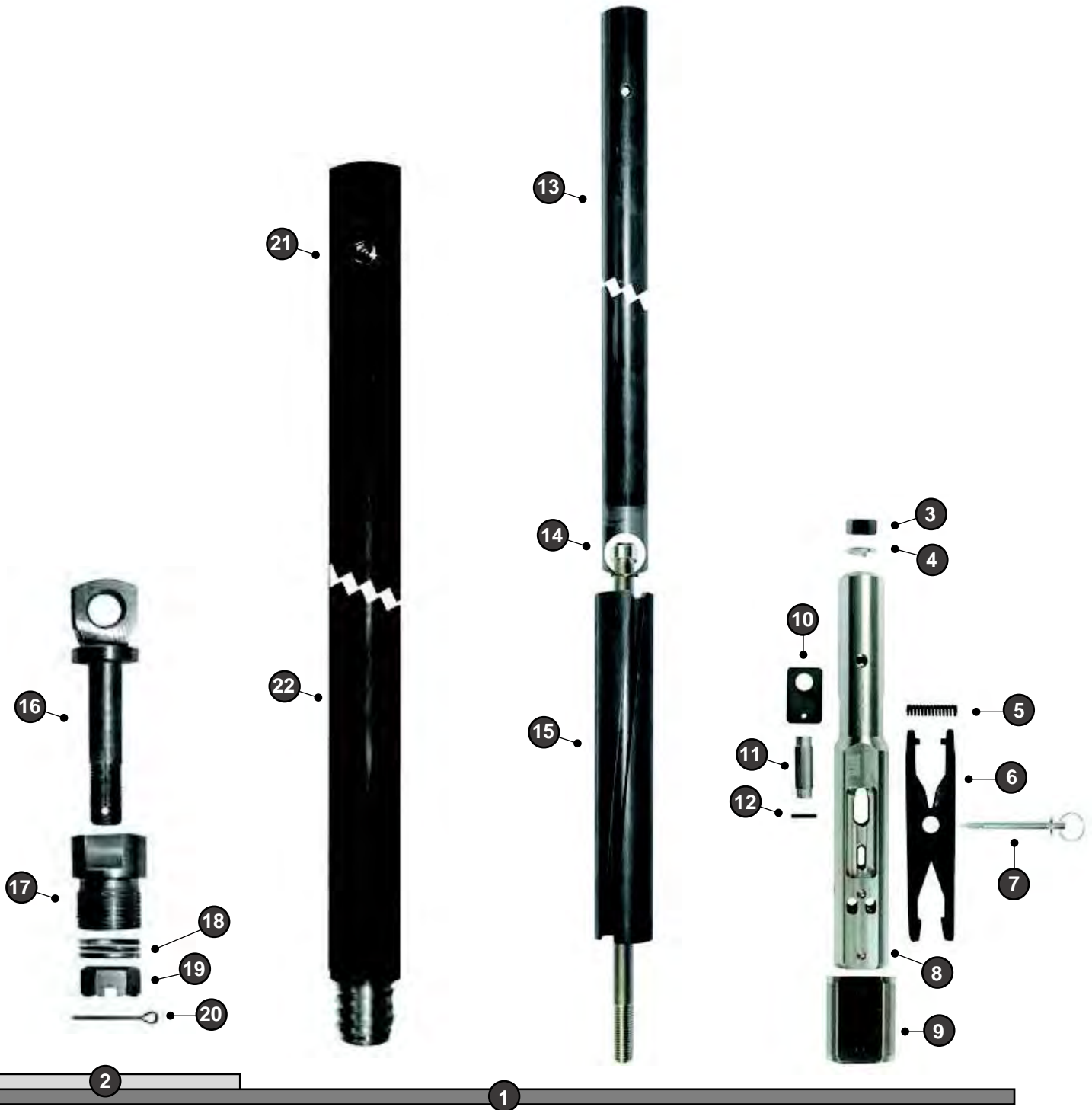


WIRELINE CORE BARRELS							
H W/L 3 Core Barrel - Link							
Ref No.	Part No.		Description	Ref	Part No.		Description
	5'	10'			5'	10'	
1	37004	37005	Core barrel assembly	26	36018*	36018*	Hanger bearing
2	37006	37007	Inner tube assembly	27	37024	37024	Compression spring
3	38176	38176	Head assembly - Link	28	37025	37025	Self lock nut
4	37078	37078	Bearing assembly	29	37026	37026	Inner tube cap assembly (includes 36024, 36025, 36026)
5	36027*	36027*	Spearhead point	30	36024	36024	Grease fitting
6	36028*	36028*	Spiral pin (.4375" x 1")	31	36025	36025	Steel ball
7	36029*	36029*	Compression spring	32	36026	36026	Check valve body
8	36030*	36030*	Detent plunger	33	37020	37020	Valve adjusting washer (2 req'd.)
9	38090	38090	Spearhead base	34	37055	37055	Adapter
10	38122	38122	Latch retracting case	35	36123	36123	Piston plug
11	38126	38126	Upper latch body	36	37054	37054	"O" ring
12	37015*	37015*	Landing shoulder	37	37053	37053	Piston
13	38177	38177	Lower latch body	38	37047	37048	Split tube liner
14	37029*	37029*	Spring pin (2 req'd.)	39	37045	37046	Inner tube
15	38127*	38127*	Link (2 req'd.)	40	37049	37049	Stop ring
16	38178*	38178*	Latch (2 req'd.)	41	37050	37050	Core lifter (Standard) (other types available, see page 7.49)
17	38073*	38073*	Nyloc bolt 3/8" – 16 x 3/4"	42	37052	37052	Core lifter case
18	38124*	38124*	Washer	43	37037	37037	Locking coupling full hole (Standard) (other types available, see page 7.49)
19	38125*	38125*	Latch compression spring	44	37039	37039	Adapter coupling
20	36032	36032	Spring pin (.50" x 2")	45	37040	37040	Landing ring
21	37017	37017	Lock nut	46	37067	37068	Outer tube
22	37018	37018	Spindle	47	37043	37043	IT stabilizer
23	37019	37019	Shut-off valve (2 req'd.)	48	37044	37044	Thread protector
24	37021*	37021*	Ball thrust bearing (2 req'd.)			38181*	Rebuild kit-Head assembly
25	37022*	37022*	Spindle bearing				

NOTE: All barrels have H W/L rod box connection.
H W/L 3 Core barrel assembly does not include reamer shell or bit (see *Diamond Bit section*).
* Items included in Rebuild Kit Head Assembly (38181).

WIRELINER CORE BARRELS

H W/Lock Overshot Assembly





WIRELINER CORE BARRELS

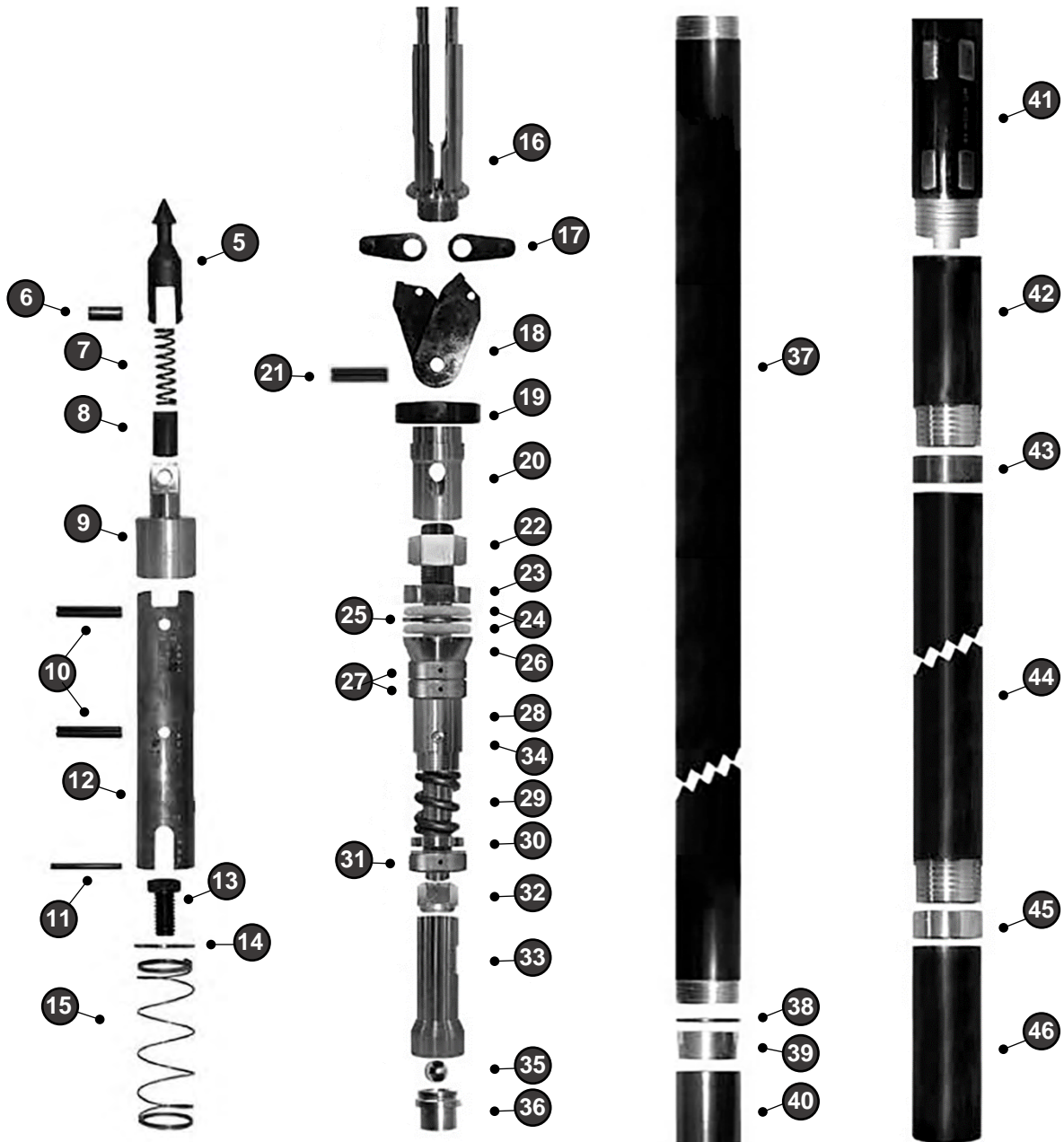
H W/Lock Overshot Assembly

Ref No.	Part No.	Description
1	38173	Overshot Assembly - Lock
2	36049	Cable Swivel
3	36300	Nut 3/4" - 10
4	38065	Spring lock washer 3/4"
5	36062	Lifting dog spring
6	36063	Lifting dog (2)
7	38066	Overshot locking pin
8	38061	Overshot head
9	38174	Sleeve adaptor
10	38161	Guiding plate (2)
11	38067	Lifting dog pivot pin
12	38068	Spring pin (3/16" x 1-7/8")
13	38062	Jar tube weldment
14	38064	Jar staff
15	36060	Locking sleeve
16	36051	Eye bolt
17	36052	Cable swivel collar
18	36053	Needle thrust bearing
19	36054	Nut
20	36055	Cotter pin (3/32" x 1")
21	36024	Grease fitting
22	36056	Cable swivel body <i>Note: 4" shoulder length available (36249)</i>

NOTE: Locking sleeve is used in dry hole only. It must be removed when hoisting inner tube.

WIRELINER CORE BARRELS

P W/L Core Barrel - Link



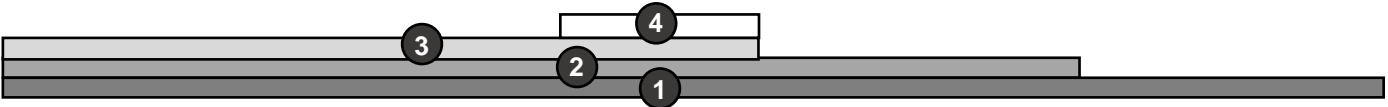
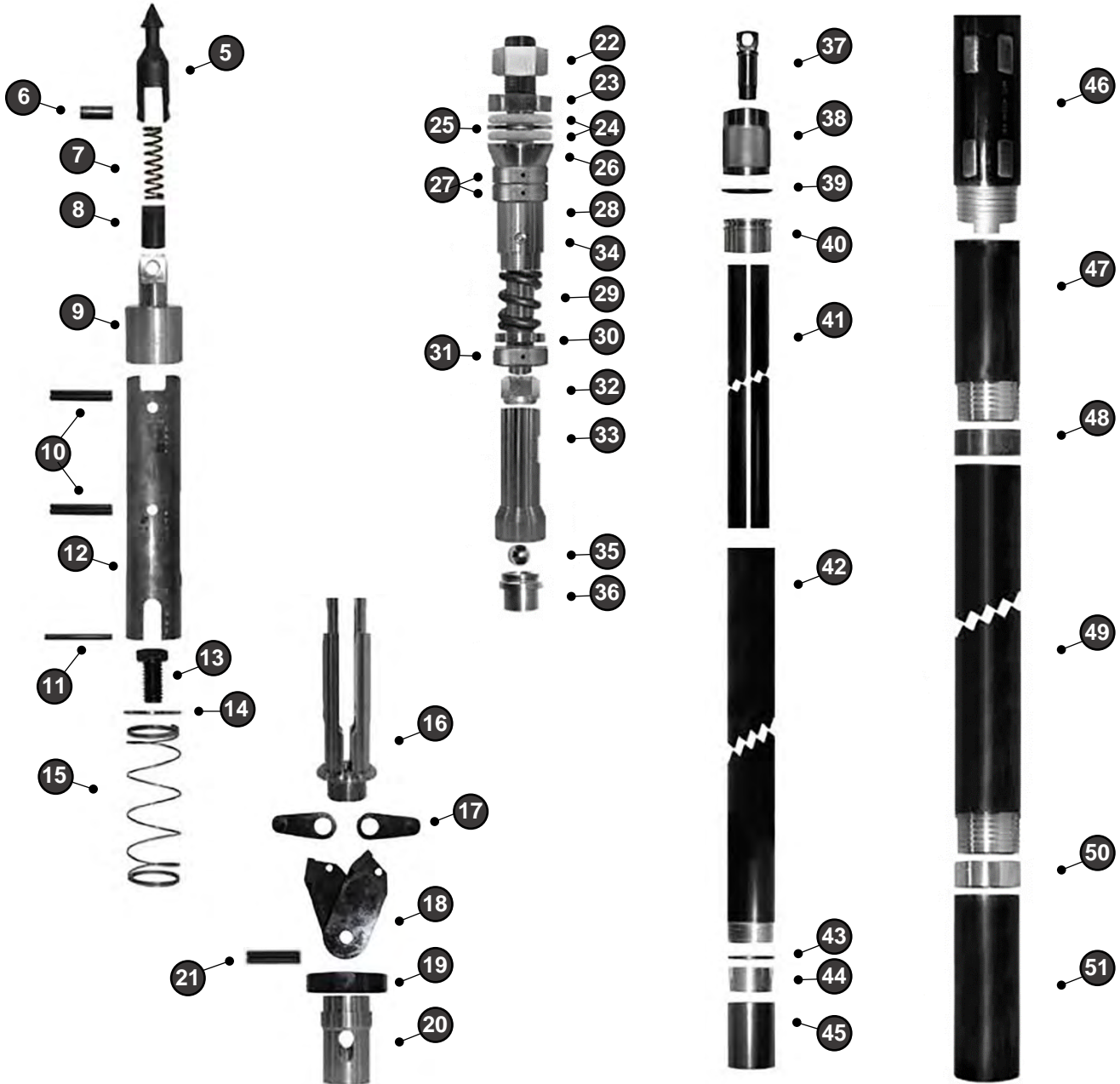


WIRELINE CORE BARRELS									
P W/L Core Barrel - Link									
Ref No.	Part No.			Description	Ref No.	Part No.			Description
	2'	5'	10'			2'	5'	10'	
1	38118	38100	38101	Core barrel assembly	25	38134	38134	38134	Valve adjusting washer (2 req'd)
2	38119	38102	38103	Inner tube assembly	26	38154	38154	38154	Tapered washer
3	38120	38120	38120	Head assembly - Link	27	37021	37021	37021	Thrust bearing (2 req'd)
4	38166	38166	38166	Bearing assembly	28	38135	38135	38135	Spindle bearing
5	36027	36027	36027	Spearhead point	29	38136	38136	38136	Compression spring
6	36028	36028	36028	Spiral Pin (.4375" x 1")	30	38155	38155	38155	Washer
7	36029	36029	36029	Compression spring	31	37021	37021	37021	Thrust bearing
8	36030	36030	36030	Detent plunger	32	38137	38137	38137	Self lock nut
9	38121	38121	38121	Spearhead base	33	38138	38138	38138	Inner tube cap assembly (includes 38140, 38141)
10	37029	37029	37029	Spiral pin (.50" x 2") (2 req'd)	34	38139	38139	38139	Grease fitting
11	38156	38156	38156	Spiral pin (.25" x 2.75")	35	38140	38140	38140	Ball 7/8"
12	38122	38122	38122	Latch retracting case	36	38141	38141	38141	Check valve body
13	38123	38123	38123	Nyloc bolt	37	38164	38142	38143	Inner tube
14	38124	38124	38124	Upper washer	38	36185	36185	36185	Stop ring
15	38125	38125	38125	Latch compression spring	39	36186	36186	36186	Core lifter (Standard) (other types available, see page 7.49)
16	38126	38126	38126	Upper latch body	40	36188	36188	36188	Core lifter case
17	38127	38127	38127	Link (2 req'd)	41	38146	38146	38146	Locking coupling (Standard) (other types available, see page 7.49)
18	38128	38128	38128	Latch 2 (req'd)	42	38147	38147	38147	Adaptor coupling
19	38129	38129	38129	Landing shoulder	43	38148	38148	38148	Landing ring
20	38130	38130	38130	Lower latch body	44	38165	38149	38150	Outer tube
21	36032	36032	36032	Spring pin (.50" x 2")					
22	38131	38131	38131	Hex nut	45	36224	36224	36224	Inner tube stabilizer
23	38132	38132	38132	Spindle	46	38153	38153	38153	Thread protector
24	38133	38133	38133	Shut-off valve-hard (2 req'd)					

**NOTE: All barrels have HWT rod box connection.
P W/L Core barrel assembly does not include reamer shell or bit (see Diamond Bit section).**

WIRELINER CORE BARRELS

P W/L 3 Core Barrel - Link





WIRELINER CORE BARRELS

P W/L 3 Core Barrel - Link

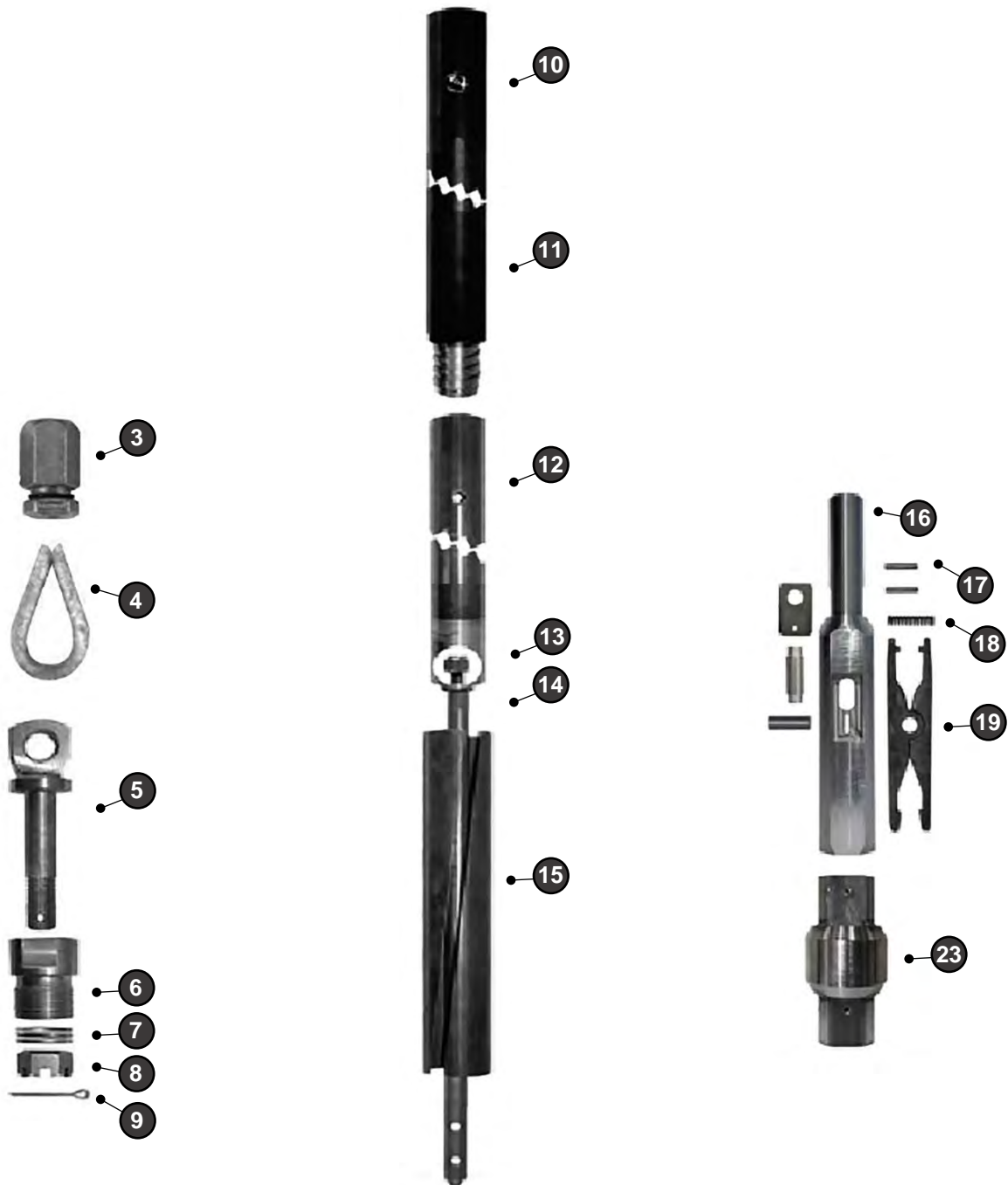
Ref No.	Part No.		Description	Ref No.	Part No.		Description
	5'	10'			5'	10'	
1	38108	38109	Core barrel assembly	27	37021	37021	Thrust bearing (2 req'd)
2	38110	38111	Inner tube assembly	28	38135	38135	Spindle bearing
3	38120	38120	Head assembly - Link	29	38136	38136	Compression spring
4	38166	38166	Bearing assembly	30	38155	38155	Washer
5	36027	36027	Spearhead point	31	37021	37021	Thrust bearing
6	36028	36028	Spiral Pin (.4375" x 1")	32	38137	38137	Self lock nut
7	36029	36029	Compression spring	33	38138	38138	Inner tube cap assembly (includes 38140, 38141)
8	36030	36030	Detent Plunger	34	38139	38139	Grease fitting
9	38121	38121	Spearhead base	35	38140	38140	Ball 7/8"
10	37029	37029	Spiral pin (.50" x 2") (2 req'd)	36	38141	38141	Check valve body
11	38156	38156	Spiral pin (.25" x 2.75")	37	36123	36123	Piston plug
12	38122	38122	Latch retracting case	38	36197	36197	Pump out adaptor
13	38123	38123	Nyloc bolt	39	36196	36196	O-ring
14	38124	38124	Upper washer	40	36195	36195	Piston
15	38125	38125	Latch compression spring	41	36193	36194	Split tube liner
16	38126	38126	Upper latch body	42	38142	38143	Inner tube
17	38127	38127	Link (2 req'd)	43	36189	36189	Stop ring
18	38128	38128	Latch 2 (req'd)	44	36190	36190	Core lifter (Standard) (other types available, see page 7.49)
19	38129	38129	Landing shoulder	45	36188	36188	Core lifter case
20	38130	38130	Lower latch body	46	38146	38146	Locking coupling (Standard) (other types available, see page 7.49)
21	36032	36032	Spring pin (.50" x 2")	47	38147	38147	Adaptor coupling
22	38131	38131	Hex nut	48	38148	38148	Landing ring
23	38132	38132	Spindle	49	38149	38150	Outer tube
24	38133	38133	Shut-off valve-hard (2 req'd)	50	36224	36224	Inner tube stabilizer
25	38134	38134	Valve adjusting washer (1 req'd)	51	38153	38153	Thread protector
26	38154	38154	Tapered washer				

NOTE: All barrels have HWT rod box connection.

P W/L 3 Core barrel assembly does not include reamer shell or bit (see Diamond Bit section).

WIRELINER CORE BARRELS

P W/Lock Overshot Assembly



2

1

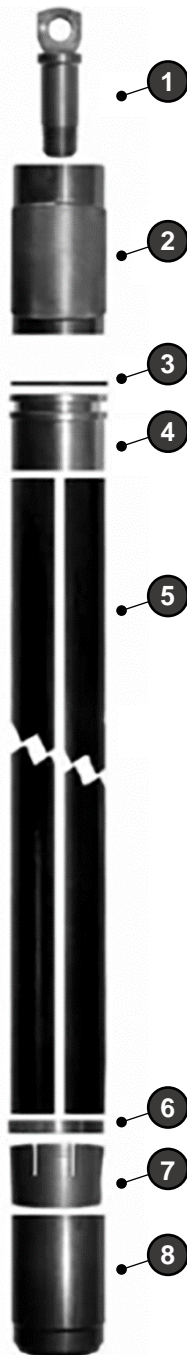


WIRELINE CORE BARRELS

P W/Lock Overshot Assembly

Ref No.	Part No.	Description
1	38158	Overshot assembly - Lock
2	36049	Cable swivel assembly
3	37075	Cable clamp
4	36050	Wire rope thimble
5	36051	Eye bolt
6	36052	Cable swivel collar
7	36053	Needle thrust bearing
8	36054	Nut
9	36055	Cotter pin
10	38139	Grease fitting
11	36056	Cable swivel body <i>Note: 4" shoulder length available (36249)</i>
12	36057	Jar tube weldment
13	36058	Self lock nut
14	36059	Jar staff
15	36060	Locking sleeve
16	38159	Overshot head
17	36091	Spiral pin (.25"x 1.5") (2 req'd)
18	36062	Lifting dog spring
19	36063	Lifting dog (2 req'd)
20	38161	Guiding plate (2 req'd)
21	38162	Lifting dog pivot pin
22	38163	Spring pin (.25" x 3.25")
23	38160	Sleeve adaptor

CONVERSION TO V3 & W/L3 CORE BARRELS





CONVERSION TO V3 & W/L3 CORE BARRELS

NV3 & N W/L3 Conversion Items

Ref No.	Part No.	Description
1	36123	Piston plug
2	36122	Pump-out adaptor
3	36121	O-ring
4	36120	Piston
5	36114	Split tube liner 5'
5	36115	Split tube liner 10'
6	36116	Stop ring
7	36117	Core lifter
8	36119	Core lifter case

HV3 & H W/L3 Conversion Items

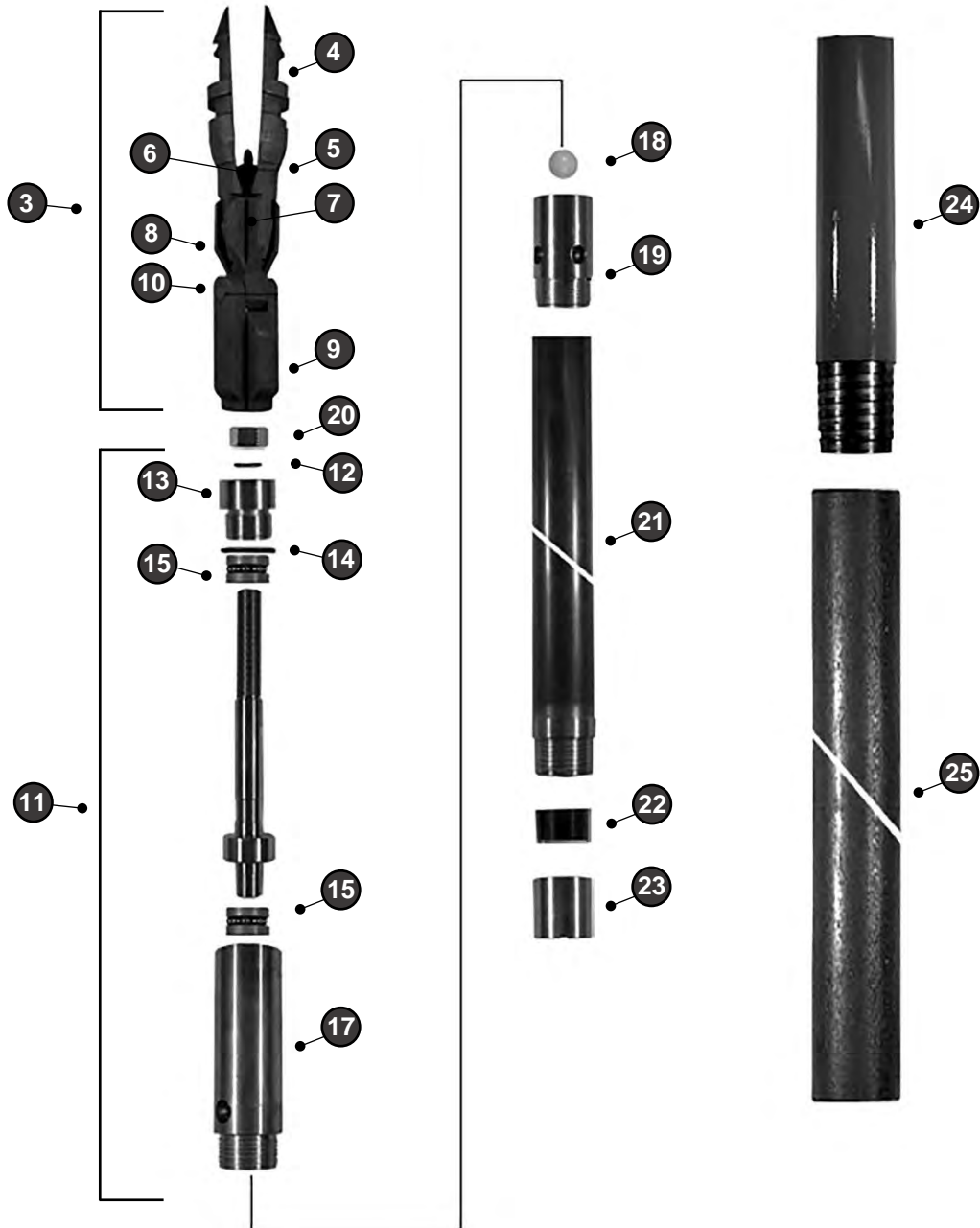
1	36123	Piston plug
2	37055	Pump-out adaptor
3	37054	O-ring
4	37053	Piston
5	37047	Split tube liner 5'
5	37048	Split tube liner 10'
6	37049	Stop ring
7	37050	Core lifter
8	37052	Core lifter case

PV3 & P W/Link3 Conversion Items

1	36123	Piston plug
2	36197	Pump-out adaptor
3	36195	O-ring
4	36196	Piston
5	36193	Split tube liner 5'
5	36194	Split tube liner 10'
6	36189	Stop ring
7	36191	Core lifter
8	36188	Core lifter case

WIRELINE CORE BARRELS

NXB Core Barrel

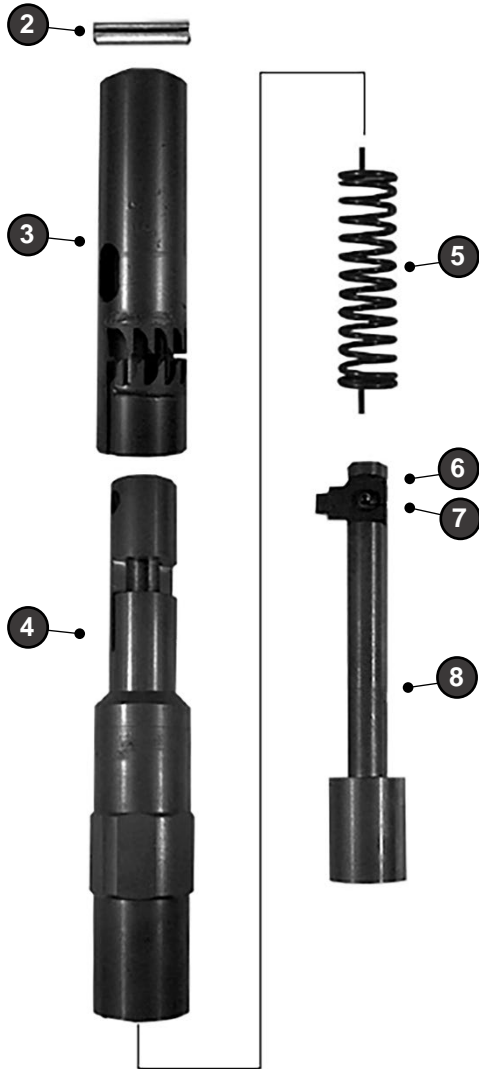




WIRELINE CORE BARRELS

NXB Core Barrel

Ref No.	Part No.		Description
	5'	10'	
1	36600	36601	Core barrel assembly solid inner tube
1	36602	36603	Core barrel assembly split inner tube
2	36604	36605	Inner tube assembly solid inner tube
2	36606	36607	Inner tube assembly split inner tube
3	36616	36616	Head assembly
4	36617	36617	Quadlatch finger (4 req'd)
5	36618	36618	Spring-blue (top) (2 req'd)
6	36619	36619	Spring-red (bottom) (2 req'd)
7	36620	36620	Pin (4 req'd)
8	36621	36621	Head base (top)
9	36622	36622	Head base (bottom)
10	36623	36623	Pin
11	36624	36624	Bearing assembly
12	36629	36629	O-ring
13	36627	36627	Bearing retainer
14	36630	36630	O-ring
15	36626	36626	Bearing (2 req'd)
16	36625	36625	Bearing shaft
17	36628	36628	Housing w/ zert & cap
18	36633	36633	Ball
19	36631	36631	Inner tube connector - solid inner tube
19	36632	36632	Inner tube connector - split inner tube
20	36634	36634	Adjustment nut
21	36612	36613	Inner tube - solid
21	36614	36615	Inner tube - split
22	36635	36635	Core lifter skirtless buttress
22	36637	36637	Core lifter skirted hard-faced
23	36638	36638	Inner tube shoe
23	36639	36639	Inner tube shoe-pilot-beveled wall
24	36608	36608	Locking coupling - NXB box
24	36609	36609	Locking coupling - N W/L box
25	36610	36611	Outer tube



WIRELINE CORE BARRELS

NXB Overshot Assembly

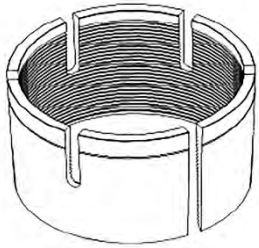
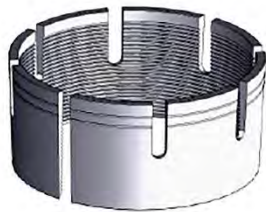
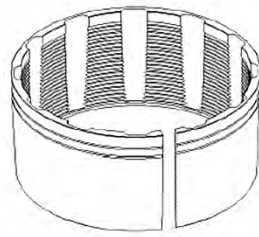
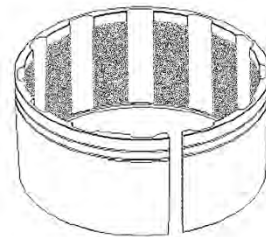
Ref No.	Part No.	Description
1	36642	Overshot assembly
2	36644	Roll pin
3	36643	Sleeve
4	36648	Retriever
5	36647	Spring
6	36646	Pawl
7	36649	Cap screw
8	36645	Plunger
	36650	Overshot cocking tool (not shown)
Additional NXB Wireline Options (not shown)		
	36651	Overshot swivel assembly
	36653	Wireline extension rod 18"
	36652	Wireline extension rod 46"
	36654	Positive latch lower tool
	36655	Loading funnel NXB
	36656	Loading funnel N W/L
	36657	Simple overshot



WIRESLINE CORE BARREL OPTIONS			
Locking Couplings			
	N W/L	H W/L	P W/Link
Full Hole	36040	37037	N/A
Standard	36351	37097	38146
Carbide	36041	37038	38157

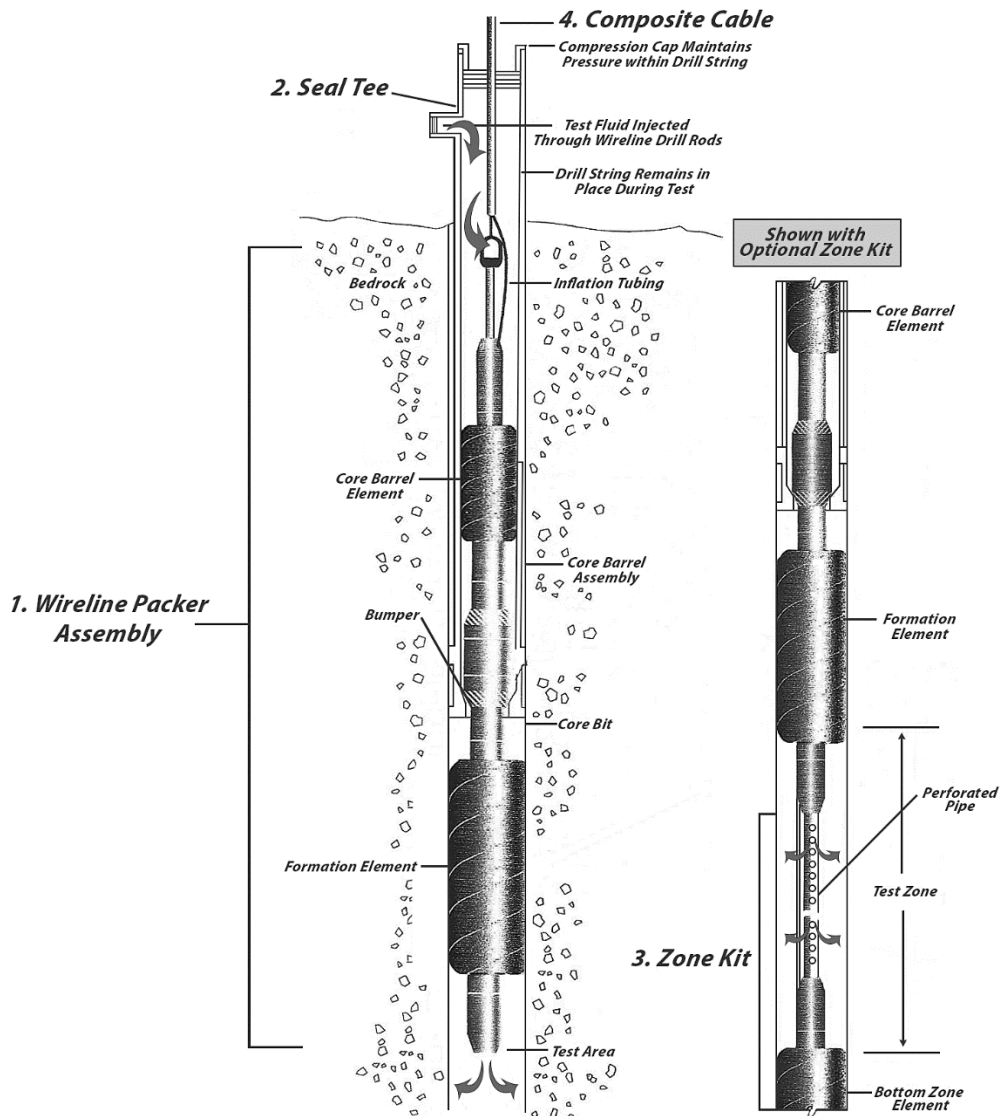
		
Full Hole	Standard	Carbide

Core Lifters							
N W/L	N W/L2	N W/L3	H W/L	H W/L3	P W/L	P W/L3	Description
36037	36078	36117	37034	37050	36186	36190	Standard Slotted
36038	36090	36118	37035	37051	36187	36191	Fluted
36247	36248	N/A	37082	36441	N/A	N/A	Hardfaced
36440	36422	36491	36493	36495	36497	N/A	Diamond Coated Slotted
36490	36420	36492	36494	36496	36498	36499	Diamond Coated Fluted

			
Diamond Coated Slotted	Standard Slotted	Fluted	Hardfaced

WIRELINE CORE BARREL PACKER ASSEMBLY

Ref No.	N W/L Part No.	H W/L Part No.	P W/L Part No.	Description
1	220056	221234	220310	Wireline packer assembly (includes core barrel element, bumper and formation element)
2	220057	220329	221067	Seal tee assembly
3	220060	221235	221066	10' zone kit (includes bottom zone element, 43" and 60" perforated pipe and inflation tube)
	220102	220102	220102	Regulator kit (not shown)
	220101	220101	220101	Water test kit (not shown)
4	220058	220058	220058	Composite cable





WIRELINER DRILL ROD

N W/L

	Part No.	Weight
1 Ft.	30064	5.0 lb / 2.3 kg
2 Ft.	30065	9.7 lb / 4.4 kg
5 Ft.	30066	25.7 lb / 11.7 kg
10 Ft.	30067	51.4 lb / 23.3 kg

N W/L ROD SPECIFICATIONS

N W/L

OD Tube	Tube Wall Thickness	ID Pin	Threads Per Inch
2.75" / 69.9 mm	.188" / 9.6 mm	2.375" / 60.3 mm	3



WIRELINE DRILL ROD

H W/L

	Part No.	Weight
1 Ft.	30068	8.0 lb / 3.6 kg
2 Ft.	30069	15.6 lb / 7.0 kg
5 Ft.	30070	38.4 lb / 17.4 kg
10 Ft.	30071	76.7 lb / 34.8 kg

H W/L ROD SPECIFICATIONS

H W/L

OD Tube	Tube Wall Thickness	ID Pin	Threads Per Inch
3.5" / 88.9 mm	.219" / 11.1 mm	3.0625" / 77.8 mm	3



WIRELINE DRILL ROD

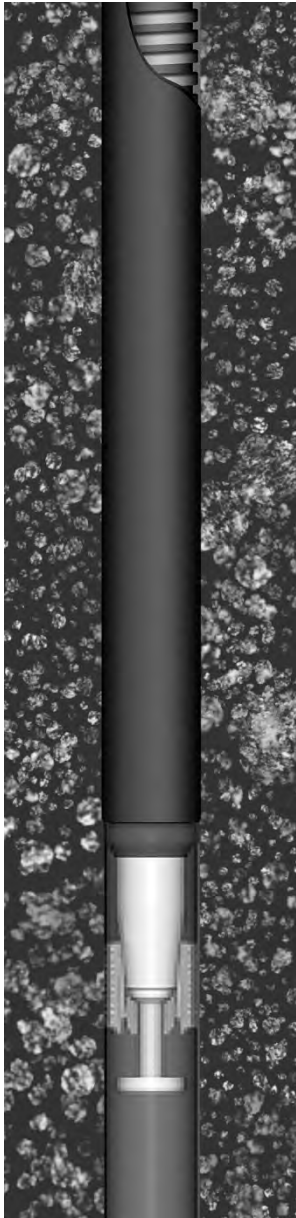
HWT

	Part No.	Weight
1 Ft.	30084	12.0 lb / 5.4 kg
2 Ft.	30085	22.6 lb / 10.2 kg
5 Ft.	30086	56.5 lb / 25.4 kg
10 Ft.	30087	113 lb / 51.3 kg

HWT ROD SPECIFICATIONS

HWT

OD Tube	Tube Wall Thickness	ID Pin	Threads Per Inch
4.5" / 114.3 mm	.250" / 12.7 mm	4" / 101.6 mm	2.5



WIRELINER CORING ACCESSORIES

Hole Plugs

Part No.	Description
36262	NX Van Ruth Plug
36263	HX Van Ruth Plug

NOTE: Made from Aluminum and rubber. The Van Ruth plug is a hole plug that is used in conjunction with the Wireline Drill rods. Once the core barrel is removed, the rods are reinserted in the hole down to the desired plug depth. The Van Ruth plug is then pumped or pushed through the Wireline Drill rods completely. When the plug exits the drill rods, spring pressure locks it in the bore hole.





WIRELINER DRILL ROD TOOLS

Recovery Taps & Subs-Wireline Drill Rod

Part No.	Description
36258	N W/L Recovery Tap – N W/L rod box
36334	N W/L Recovery Tap Full Grip – BW rod box
30432	Sub N W/L box BW rod pin
36259	H W/L Recovery Tap – H W/L rod box
36335	H W/L Recovery Tap Full Grip – NW rod box
37252	Sub H W/L box NW rod pin
36430	HWT Recovery Tap – H W/L rod box
37247	Sub HWT box H W/L pin



Standard



Full Grip

WIRELINE DRILL ROD TOOLS

Hoisting Swivels – Wireline Drill Rod

Part No.	Description
36286	N W/L Hoisting Swivel
36287	H W/L Hoisting Swivel



Rod Wrenches – Full Circle Grip

Part No.	Description
36354	Standard – N W/L wireline rod
36349	Heavy Duty – N W/L wireline rod
36341	Heavy Duty – H W/L wireline rod
36348	Heavy Duty – HWT wireline rod/casing



Standard



Heavy Duty



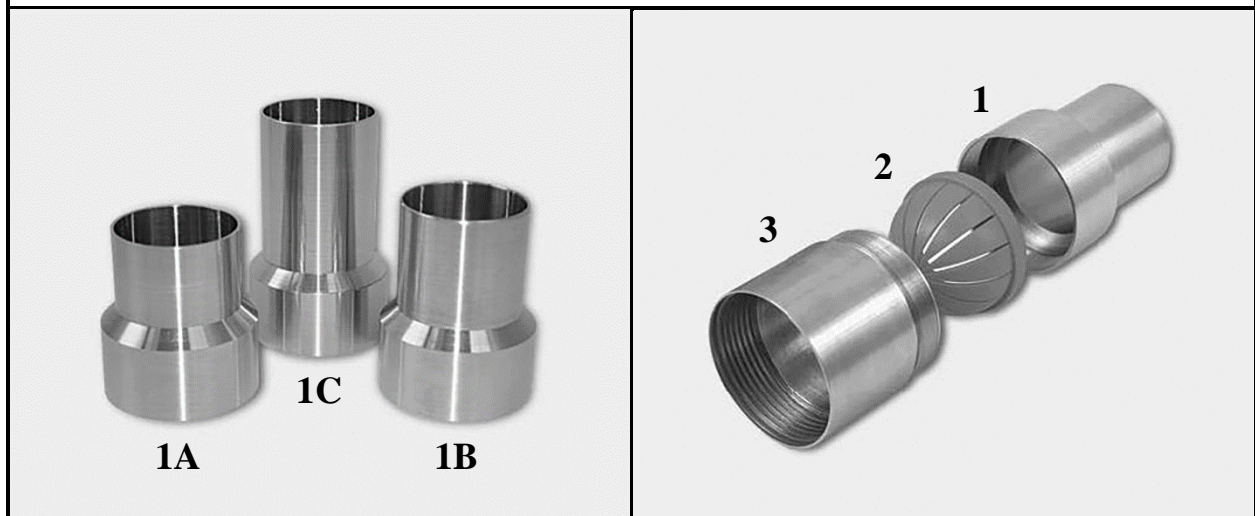
Heavy Duty





PUNCH SHOES

Ref. No.	N W/L – NV	N W/L2 – NV2	H W/L – HV	P W/L – PV	Description
1A	36201	36251	36208	36214*	Punch Shoe Pilot 1.5"
1B	36202	36252	36209	36215*	Punch Shoe Pilot 2.0"
1C	36203	36253	36210	36216*	Punch Shoe Pilot 2.5"
2	36204	36254	36211	36217	Basket Retainer – Plastic
3	36200	36250	36206	36213	Punch Shoe Upper Blank


* NOTE: P W/L Punch Shoe Pilots differ in length from other series. 1A = 1" • 1B = 1.75" • 1C = 3.5"
Punch Shoes available for other style Core Barrels (i.e. NXB • NWD – 4 • 94 mm).



	WIRELINER DRILL ROD SUBS	
	N W/L	
	BOX to PIN	
	Description	Part No.
	AW – N W/L	30280
	AWJ – N W/L	30305
	NW – N W/L*	30385
	NW – N W/L	30794
	NWJ – N W/L	30415
	NWJ – N W/L*	30399
	2.375 API IF – N W/L	30356
	N3 – N W/L	30644
	N4 – N W/L	30646
	2-3/8 MHJR – N W/L	37248
	NXB – N W/L	30387
2.875 API IF – N W/L	37324	
<p>Note: Pin end bored for latch mechanism. Other combinations and sizes of subs available. * 6" Body length.</p>		

	WIRELINER DRILL ROD SUBS	
	N W/L	
	BOX to BOX	
	Description	Part No.
	N4 – N W/L	30201
N W/L – 2.375 API Reg. Box	34415	
N W/L – 2.875 API Reg. Box	34416	



	WIRELINE DRILL ROD SUBS	
	N W/L	
	PIN to PIN	
	Description	Part No.
	AW – N W/L	30459
	NW – N W/L	30513
2.375 API IF – N W/L	30673	
Note: Pin end bored for latch mechanism. Other combinations and sizes of subs available.		

WIRELINE DRILL ROD SUBS

H W/L

BOX to PIN



Description	Part No.
AW – H W/L	30741
AWJ – H W/L	37200
NW – H W/L	34414
NW – H W/L*	37201
NWJ – H W/L	30775
2.375 API IF – H W/L 4"	30592
NW Casing – H W/L	37240
H W/L – NW Casing	37239
H W/L – HW Casing	30771
N4 – H W/L	30343
N3 – H W/L	30738
HWT – H W/L	37247
2-3/8 MHJR – H W/L	37320
2.875 IF – H W/L	37325

Note: Pin end bored for latch mechanism.
 Other combinations and sizes of subs available.
 * 6" Body length.

WIRELINE DRILL ROD SUBS


H W/L

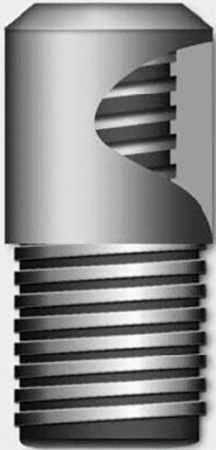
BOX to BOX



Description	Part No.
H W/L – 2.375 API Reg. Box	37243
H W/L – 2.875 API Reg. Box	37244
H W/L – 3.500 API Reg. Box	37245
H W/L – 4.500 API Reg. Box	37246
H W/L - N4	37286
H W/L - NWJ	37287



	WIRELINER DRILL ROD SUBS	
	H W/L	
	PIN to PIN	
	Description	Part No.
	AW – H W/L	37242
	NW – H W/L	37202
N4 – H W/L	30501	
Note: Pin end bored for latch mechanism. Other combinations and sizes of subs available.		

SUBS – FLUSH JOINT CASING		
BOX to PIN		
	Part No.	Description
	30274	AW Rod – NW Casing
	30299	AWJ Rod – NW Casing
	30377	NW Rod – NW Casing
	30407	NWJ Rod – NW Casing
	30568	2.375 API IF – NW Casing
	30378	NW Rod – HW Casing
	30408	NWJ Rod – HW Casing
	30591	2.375 API IF – HW Casing
	30379	NW Rod – HWT Casing
	30380	NWJ Rod – HWT Casing
	30593	2.375 API IF – HWT Casing
	30306	NWJ Rod – PW Casing
	30409	NWJ Rod – SW Casing
	37410	NWJ Rod – SWT Casing
	Note: HWT Casing is not interchangeable with HW series casing. HWT rod/casing is used as the Drill Rod for the P W/L Core Barrel.	

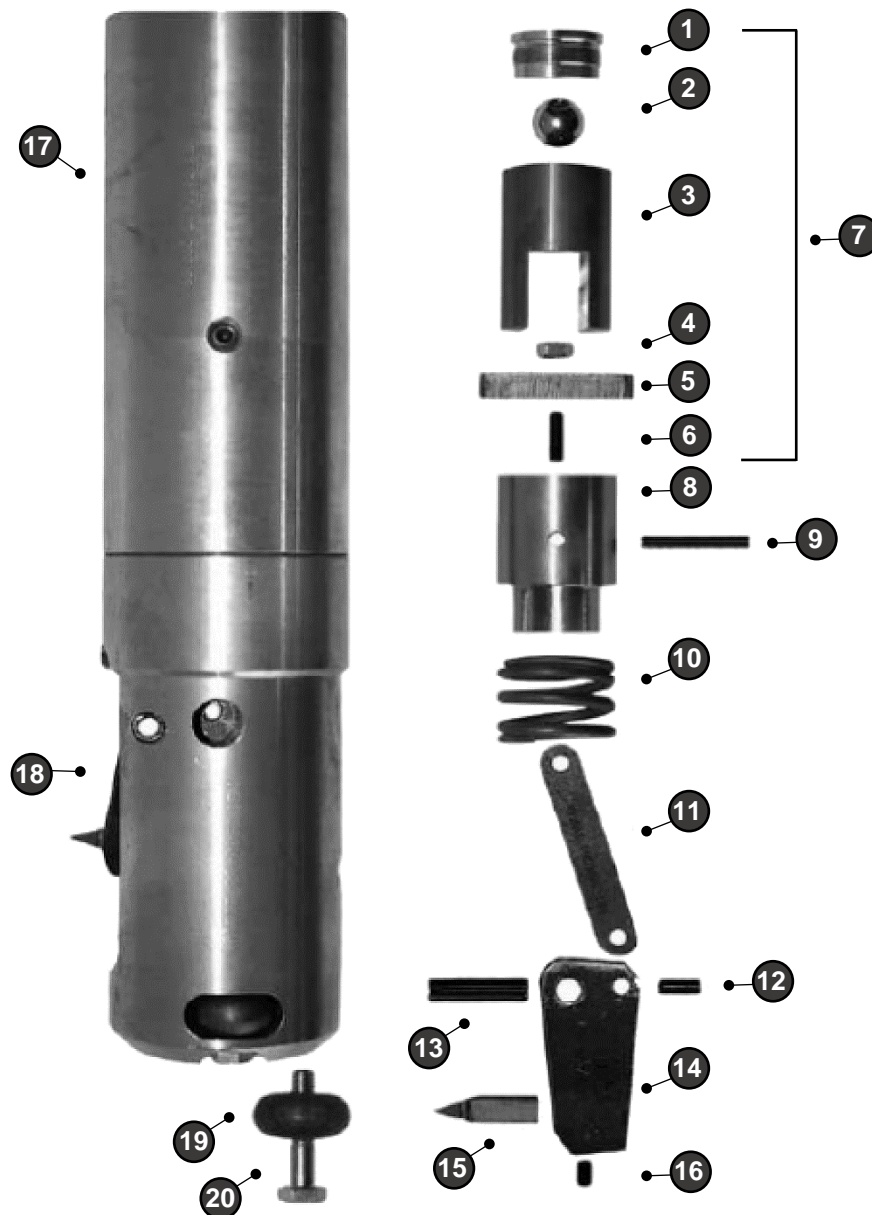


CASING					
W SERIES – FLUSH JOINT					
BW			NW		
	Part No.	Weight		Part No.	Weight
1 Ft.	30072	7.0 lb / 3.1 kg	1 Ft.	30076	9.0 lb / 4.1 kg
2 Ft.	30073	14.0 lb / 6.3 kg	2 Ft.	30077	17.0 lb / 7.7 kg
			3 Ft.	30106	27 lb / 12.3 kg
5 Ft.	30074	35.0 lb / 15.9 kg	5 Ft.	30078	43.0 lb / 19.5 kg
10 Ft.	30075	70.0 lb / 31.8 kg	10 Ft.	30079	86.0 lb / 39.1 kg
HW			HWT		
	Part No.	Weight		Part No.	Weight
1 Ft.	30080	12.0 lb / 5.4 kg	1 Ft.	30084	12.0 lb / 5.4 kg
2 Ft.	30081	23.0 lb / 10.4 kg	2 Ft.	30085	23.0 lb / 10.4 kg
3 Ft.	30110	36 lb / 16.3 kg	3 Ft.	30052	36 lb / 16.3 kg
5 Ft.	30082	58.0 lb / 26.3 kg	5 Ft.	30086	58.0 lb / 26.3 kg
10 Ft.	30083	117.0 lb / 53.1 kg	10 Ft.	30087	117.0 lb / 53.1 kg
PW			PWT		
	Part No.	Weight		Part No.	Weight
1 Ft.	30000	15.0 lb / 6.8 kg	1 Ft.	30105	15.0 lb / 6.8 kg
2 Ft.	30001	29.0 lb / 13.1 kg	2 Ft.	30104	29.0 lb / 13.1 kg
3 Ft.	30004	45 lb / 20.4 kg			
5 Ft.	30002	70.0 lb / 31.8 kg	5 Ft.	30103	70.0 lb / 31.8 kg
10 Ft.	30003	144.0 lb / 65.4 kg	10 Ft.	30102	144.0 lb / 65.4 kg
SW			SWT		
	Part No.	Weight		Part No.	Weight
1 Ft.	30088	20.0 lb / 9.1 kg	1 Ft.	31203	20.0 lb / 9.1 kg
2 Ft.	30089	40.0 lb / 18.1 kg	2 Ft.	31202	40.0 lb / 18.1 kg
3 Ft.	30051	60 lb / 27.2 kg			
5 Ft.	30090	100.0 lb / 45.4 kg	5 Ft.	31201	100.0 lb / 45.4 kg
10 Ft.	30091	200.0 lb / 90.9 kg	10 Ft.	31200	200.0 lb / 90.9 kg
UW			ZW		
	Part No.	Weight		Part No.	Weight
1 Ft.	30092	23.0 lb / 10.4 kg	1 Ft.	30096	24.0 lb / 10.9 kg
2 Ft.	30093	46.0 lb / 20.9 kg	2 Ft.	30097	48.0 lb / 21.8 kg
5 Ft.	30094	117.0 lb / 53.1 kg	5 Ft.	30098	119.0 lb / 54.0 kg
10 Ft.	30095	234.0 lb / 106.3 kg	10 Ft.	30099	238.0 lb / 108.1 kg



CASING			
W SERIES - SPECIFICATIONS			
BW			
OD Of Casing	Tube Wall Thickness	ID Of Casing	Threads Per Inch
.2875" / 73.0 mm	.250" / 1.27 mm	2.375" / 60.33 mm	4
NW			
OD Of Casing	Tube Wall Thickness	ID Of Casing	Threads Per Inch
3.5" / 88.9 mm	.250 / 12.7 mm	3.0" / 76.2 mm	4
HW/HWT			
OD Of Casing	Tube Wall Thickness	ID Of Casing	Threads Per Inch
4.5" / 114.3 mm	.250 / 12.7 mm	4.0" / 101.6 mm	HW-4/HWT-2.5
PW/PWT			
OD Of Casing	Tube Wall Thickness	ID Of Casing	Threads Per Inch
5.5" / 139.7 mm	.250 / 12.7 mm	5.0" / 127.0 mm	PW-3/PWT-2.5
SW/SWT			
OD Of Casing	Tube Wall Thickness	ID Of Casing	Threads Per Inch
6.625" / 168.3 mm	.312" / 15.9 mm	6.0" / 152.4 mm	SW - 3 / SWT-2.5
UW			
OD Of Casing	Tube Wall Thickness	ID Of Casing	Threads Per Inch
7.625" / 193.7 mm	.312" / 15.9 mm	7.0" / 177.8 mm	2
ZW			
OD Of Casing	Tube Wall Thickness	ID Of Casing	Threads Per Inch
8.625" / 219.1 mm	.312" / 15.9 mm	8.0" / 203.2 mm	2

ROD & CASING CUTTER ASSEMBLIES



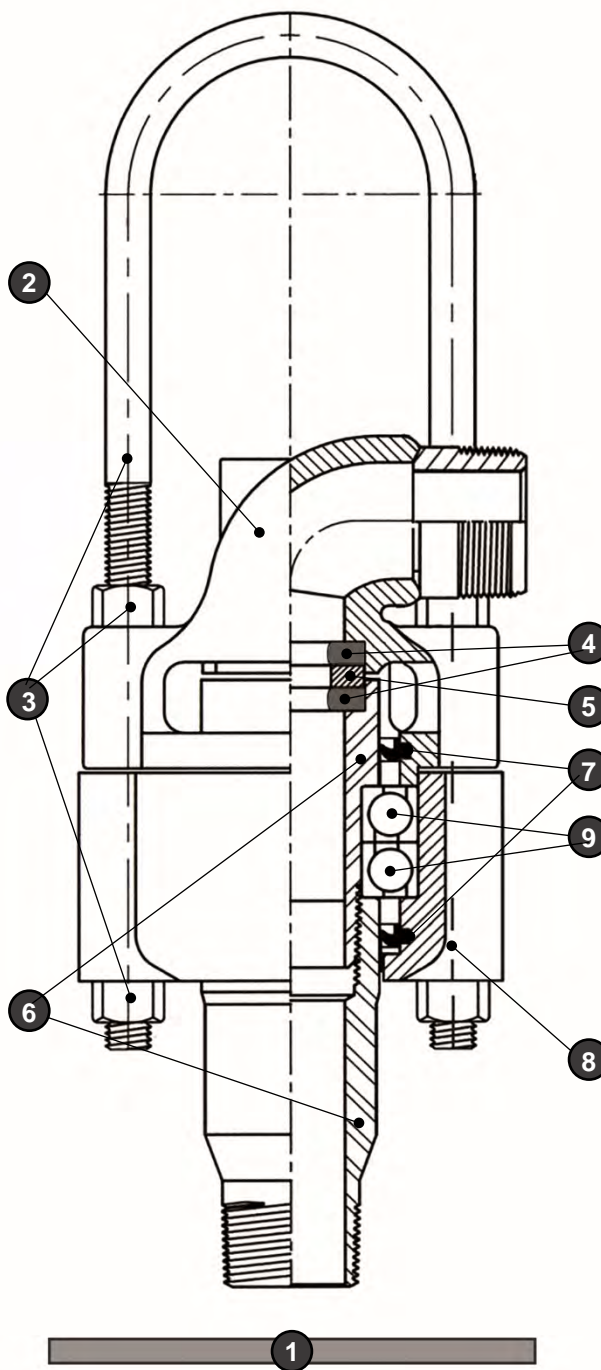


ROD & CASING CUTTER ASSEMBLIES

Ref. No.	N W/L-BW 2.315" OD	H W/L-NW 2.964" OD	HW-HWT 3.936" OD	Description
	36365	36364	36442	Cutter assembly
1	36443	36443	36443	Retaining plug
2	36444	36444	36444	Steel ball (3/4")
3	36445	36445	36445	Valve
4	36446	36446	36446	Stopper lock nuts
5	36447	36447	36447	Stopper base
6	36448	36448	36448	Stopper screw
7	36449	36449	36449	Valve stopper assembly
8	36450	36450	36450	Piston
9	36451	36451	36451	Piston spring pin .25 x 1.625
10	36452	36452	36452	Spring piston
11	36453	36453	36453	Rod piston
12	36454	36454	36454	Tool holder pin .25 x .625
13	36455	36455	36455	Tool holder pin .375
14	36456	36456	36457	Holder tool bit
15	36366	36366	36366	Cutter knife
16	36458	36458	36458	Set screw tool bit
17	36459	36460	36461	Valve body
18	36462	36463	36464	Body cutter
19	36465	36465	36466	Roller stabilizer (2 req'd)
20	36467	36467	36467	Roller screw (2 req'd)

WATER SWIVEL

1J

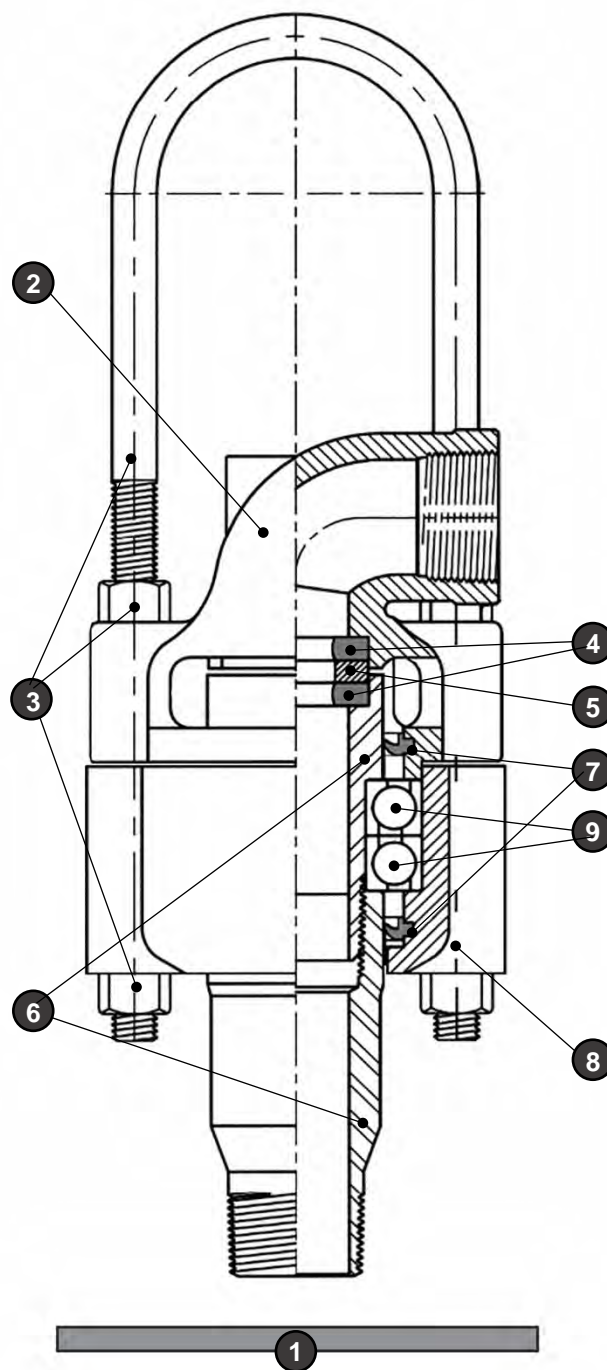




WATER SWIVEL		
1J		
Ref. No.	Part No.	Description
1	30860	Swivel, Iron, 1.25" male NPT hose connection with 1.25" NPT LH pin lower connection
1	31133	Swivel, Iron, 1.25" male NPT hose connection with CMK LH pin lower connection
2	30861	Gooseneck, 1.25" male NPT
3	30862	Bail with nuts
4	30863	Packing (2 req'd.)
4	31086	Packing, 90 Duro (2 req'd.) Air
4	31137	Packing, Viton (2 req'd.)
5	30864	Wear bushing
6	31134	Bearing Spindle Shaft 1J with 1.25" NPT LH pin lower connection (Mated set)
6	31135	Bearing Spindle Shaft 1J with CMK LH pin lower connection (Mated set)
7	30867	Housing Seals (2 req'd.)
8	30868	Bearing Housing
9	30869	Bearings (2 req'd.)
NOTE: 1" water course		

WATER SWIVEL

2J

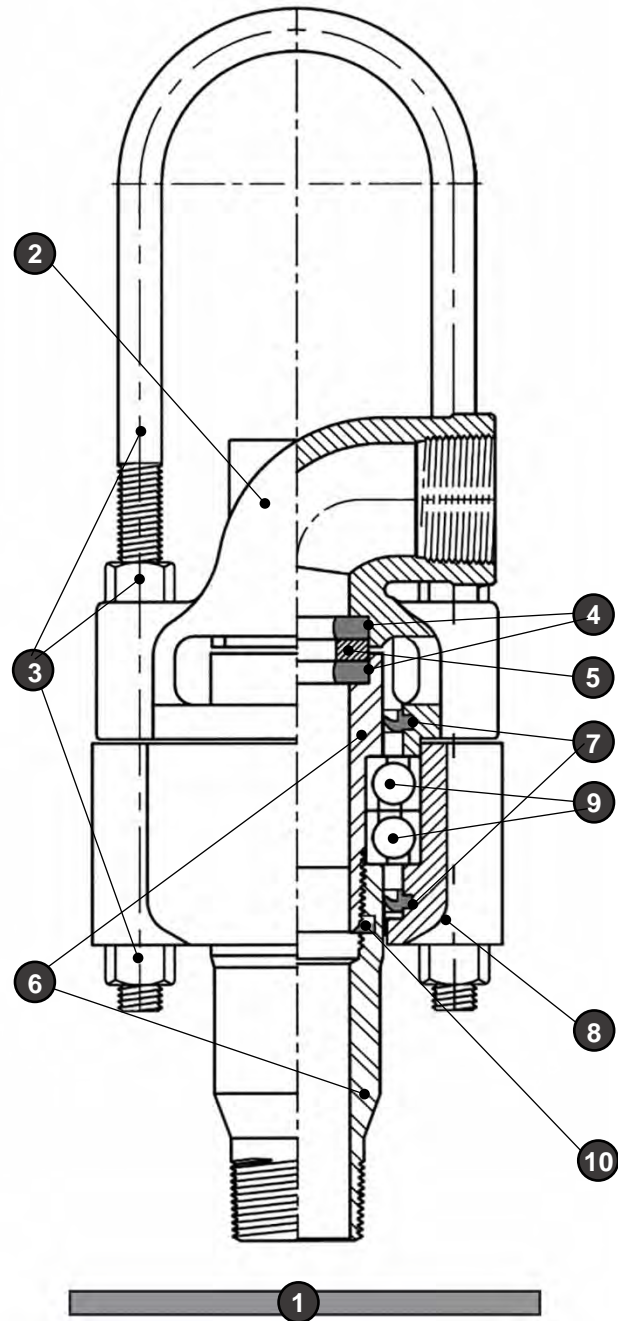




WATER SWIVEL		
2J		
Ref. No.	Part No.	Description
1	30870	Swivel, Iron, 1.5" female NPT hose connection with 1.5" NPT LH pin lower connection
1	31125	Swivel, Iron, 1.5" female NPT hose connection with CMK LH pin lower connection
2	30871	Gooseneck, 1.5" female NPT
3	30872	Bail with nuts
4	30873	Packing (2 req'd.)
	30873-Kit	Packing Kit - Black, includes 12-30873 packings and 3-30874 wear bushings
4	31075	Packing, 90 Duro (2 req'd.) Air
	31075-Kit	Packing Kit - Air - Red, includes 12-31075 packings and 3-30874 wear bushings
4	31138	Packing, Viton (2 req'd.)
5	30874	Wear bushing
6	31126	Bearing Spindle Shaft 2J with 1.5" NPT LH pin lower connection (Mated set)
6	31127	Bearing Spindle Shaft 2J with CMK LH pin lower connection (Mated set)
7	30877	Housing Seals (2 req'd.)
8	30878	Bearing Housing
9	30879	Bearings (2 req'd.)
NOTE: 1-1/2" water course		

WATER SWIVEL

3J

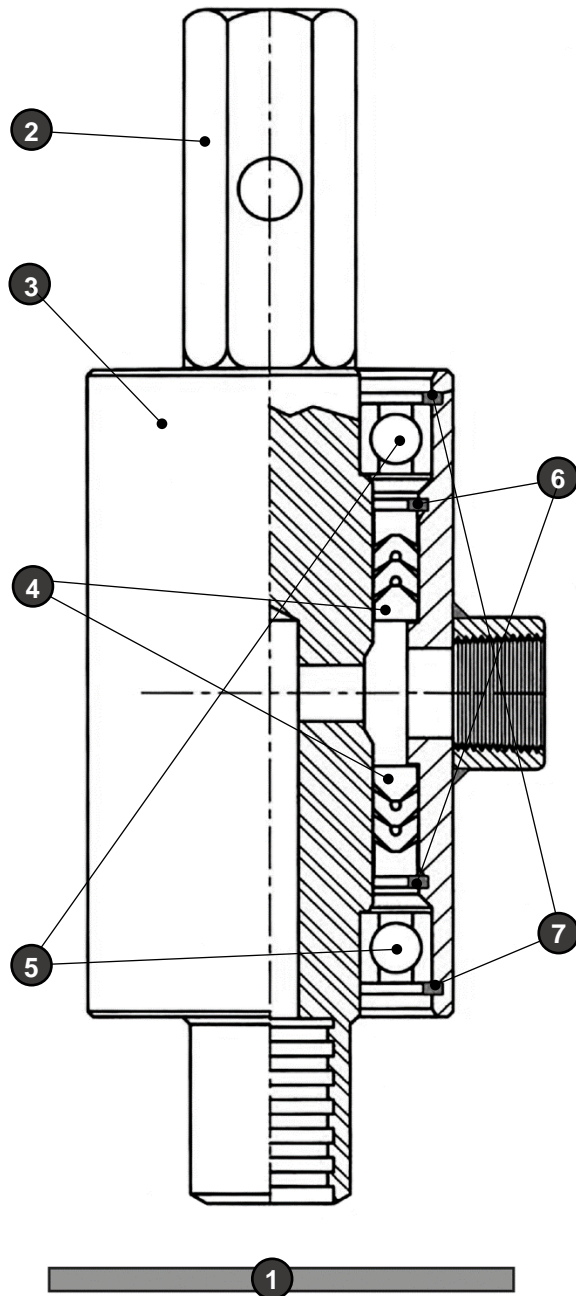




WATER SWIVEL		
3J		
Ref. No.	Part No.	Description
1	31069	Swivel, Iron, 2" female NPT hose connection with 2" NPT LH pin lower connection
1	31064	Swivel, Iron, 2" female NPT hose connection with CMK 6V LH pin lower connection
2	31037	Gooseneck, 2" female NPT
3	31038	Bail with nuts
4	30904	Packing (2 req'd.)
4	31035	Packing, 90 Duro (2 req'd.) Air
4	31139	Packing, Viton (2 req'd.)
5	30905	Wear bushing
6	31129	Bearing Spindle Shaft 3J with 2" NPT LH pin lower connection (Mated set)
6	31128	Bearing Spindle Shaft 3J with CMK 6V LH pin lower connection (Mated set)
7	30908	Housing Seals (2 req'd.)
8	30909	Bearing Housing
9	30910	Bearings (2 req'd.)
10	30912	Spindle Thread Seal
NOTE: 2" water course		

SIDE FEED SWIVEL

AW





SIDE FEED SWIVEL

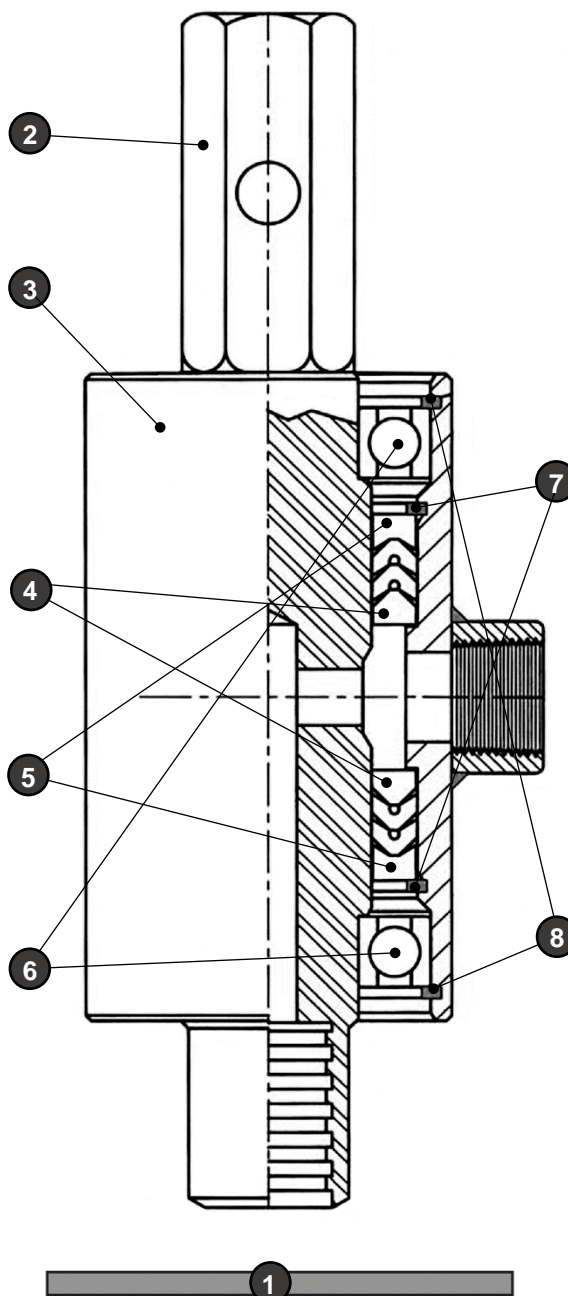
AW

Ref. No.	Part No.	Description
1	31102	Side Feed Swivel, 1.125" hex x AW box, 1" NPT female hose connection
1	31103	Side Feed Swivel, 1.625" hex x AW box, 1" NPT female hose connection
2	31106	Stem, 1.25" hex x AW box, RH
2	31107	Stem, 1.625" hex x AW box, RH
3	31110	Pack-off housing, 1" NPT hose connection
4	31111	Packing set (2 req'd.)
5	31112	Bearings (2 req'd.)
6	31113	Packing retainer (2 req'd.)
7	31114	Bearing retainer (2 req'd.)

NOTE: 5/8" water course

SIDE FEED SWIVEL

NW





SIDE FEED SWIVEL

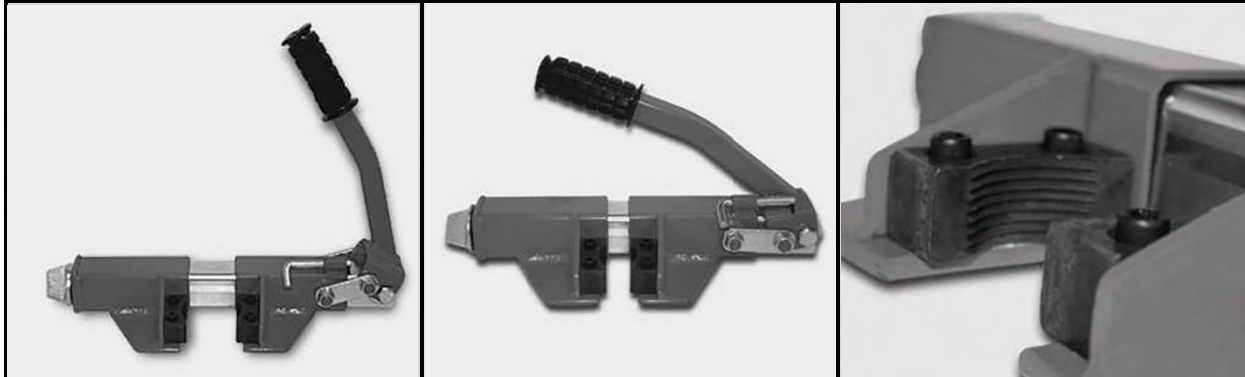
NW

Ref. No.	Part No.	Description
1	31104	Side Feed Swivel, 1.625" hex x NW box, 1.25" NPT female hose connection
1	31105	Side Feed Swivel, 2" hex x NW box, 1.25" NPT female hose connection
2	31108	Stem, 1.625" hex x NW box, RH
2	31109	Stem, 2" hex x NW box, RH
3	31115	Pack-off housing, 1.25" NPT hose connection
4	31116	Packing set (2 req'd.)
5	31120	Packing seat ring (2 req'd.)
6	31117	Bearings (2 req'd.)
7	31118	Packing retainer (2 req'd.)
8	31119	Bearing retainer (2 req'd.)

NOTE: 1-1/4" water course


KWIK KLAMP

Part No.	Description
32459	Kwik Klamp (1.25" to 2.625" – 3,500 lbs. capacity)
32460	Jaw w/screws (2 Req'd) (included with assembly)



KWIK KLAMP 2

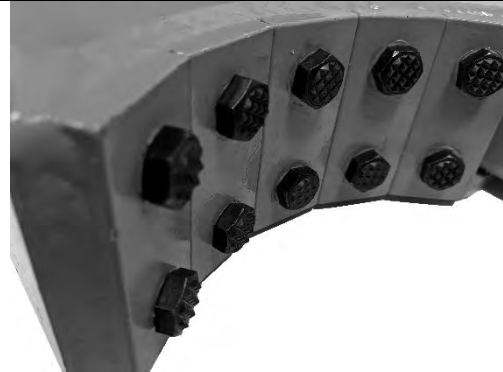
Part No.	Description
32461	Kwik Klamp 2 (2.5" to 4.5" – 7,000 lbs. capacity)
32464	Gripper Carbide Tipped (16 Req'd) (included with assembly)



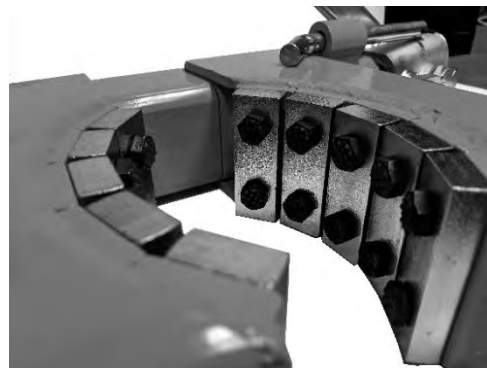
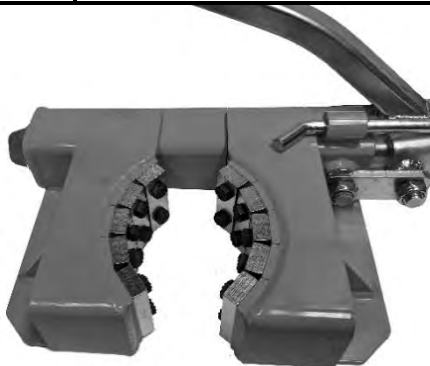


KWIK KLAMP 3

Part No.	Description
32441	Kwik Klamp 3 for 6" pipe (more than 7,000 lbs. capacity)
32464	Gripper Carbide Tipped (20 req'd) (included in assembly)



32442	Conversion kit for 5" PVC (10 jaw pads and 20 3/8-16 x 1 carbide gripper bolts)
-------	---



FOOT CLAMP

Ref. No.	Part No.	Description
1	32474	Foot Clamp, 5" x 5" (Jaw set not included)
2	32475	Jaw set, 2.75" OD tube (N W/L Rod)
3	32476	Jaw set, 3.5" OD tube (H W/L Rod, NW Casing)
4	32477	Jaw set, 4.5" OD tube (HW Casing, HWT Casing)

Note: Other Jaw Set sizes available upon request.

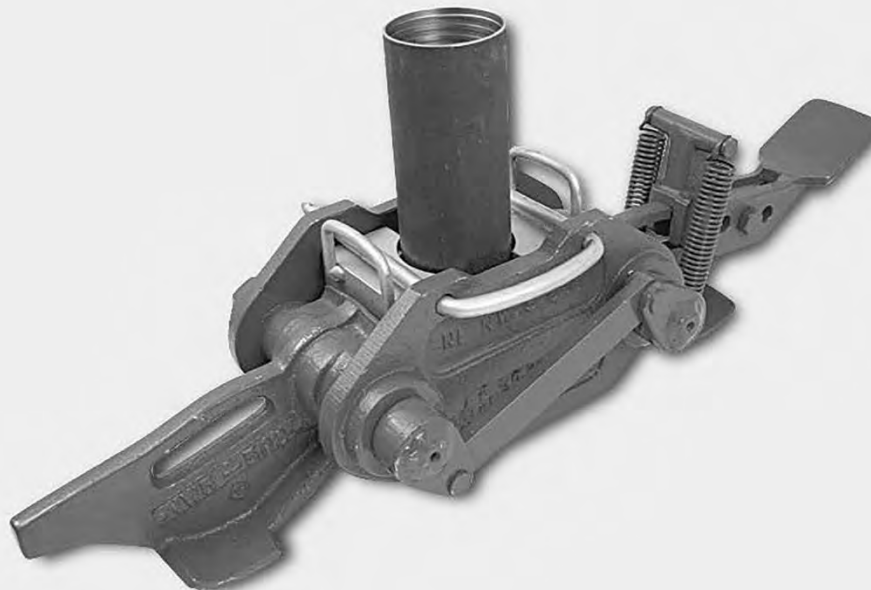
1



2

3

4



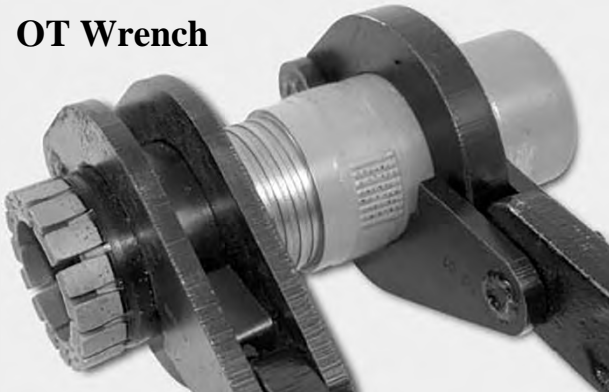


CORE BARREL WRENCHES – FULL CIRCLE GRIP

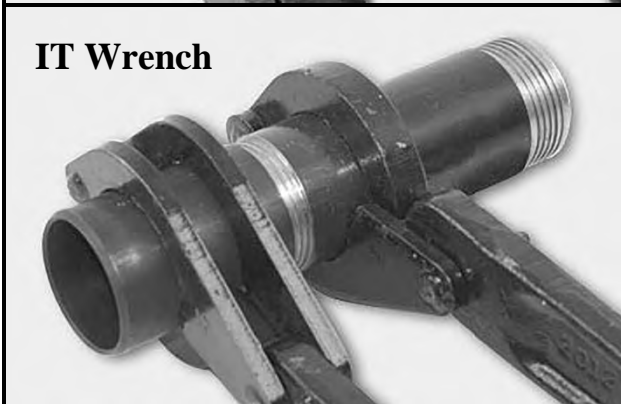
Part No.	Description
36085	Wrench, OT, N W/L, NXB, NWD4, NWD4 Bit
36086	Wrench, IT, N W/L & Case
36087	Wrench, IT, N W/L 2 & Case
36088	Wrench, IT, NWD4
36089	Wrench, IT, Shoe, NWD4
36097	Wrench, OT, H W/L
36098	Wrench Bit / Shell H W/L
36085	Wrench, IT, H W/L & Case
36127	Wrench, OT / Bit, P W/L
36098	Wrench, IT, P W/L & Case

Note: Other Wrench sizes available upon request.

OT Wrench

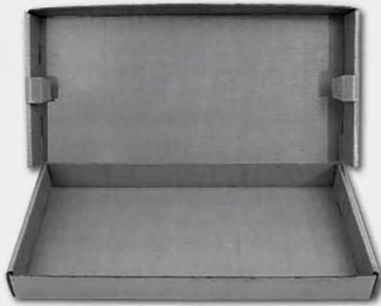


IT Wrench



CORE BOXES – WAXED CARDBOARD

N		H	
Part No.	Description	Part No.	Description
36312	Core Box – One Piece (Divider not included)	36314	Core Box – One Piece (Divider not included)
36313	Divider for One Piece Core Box	36315	Divider for One Piece Core Box



Core capacity – 10'

Packaged 25 per Bundle

P

Part No.	Description
36316	Core Box – One Piece (Divider included)



Core capacity – 5'

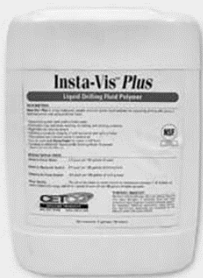
Packaged 20 per Bundle

Note: Wooden and plastic core boxes available in a variety of sizes.



THREAD LUBRICANTS

Part No.	Description	Size
212291	KOPR-KOTE (Heavy Duty Drill Pipe Compound)	1 gal. pail
212292	KOPR-KOTE (Heavy Duty Drill Pipe Compound)	2 gal. pail
214112	Eco-Safe Thread Lube	2 gal. pail
212297	Dope Brush	1.125" x 16"



INSTA-VIS PLUS

Part No.	Description	Size
214025	Liquid drilling fluid polymer	5 gal. pail

Note: Also available by the pallet (32 pails per pallet).



This page intentionally left blank.