

# CME Decon Trailer



The CME Decon Trailer is a self-contained drilling tool decontamination unit that can be towed behind your drill rig or service truck. It features a heated pressure washer and 4-foot by 6-½ foot decontamination area that has a catch basin to collect residue cleaned from augers or drilling tools.

A 276 gallon water tank is mounted over the axles for maximum stability. Miscellaneous tools and supplies can be transported in the storage area in front of the pressure washer. A storage rack is also provided that holds three 5 gallon buckets.

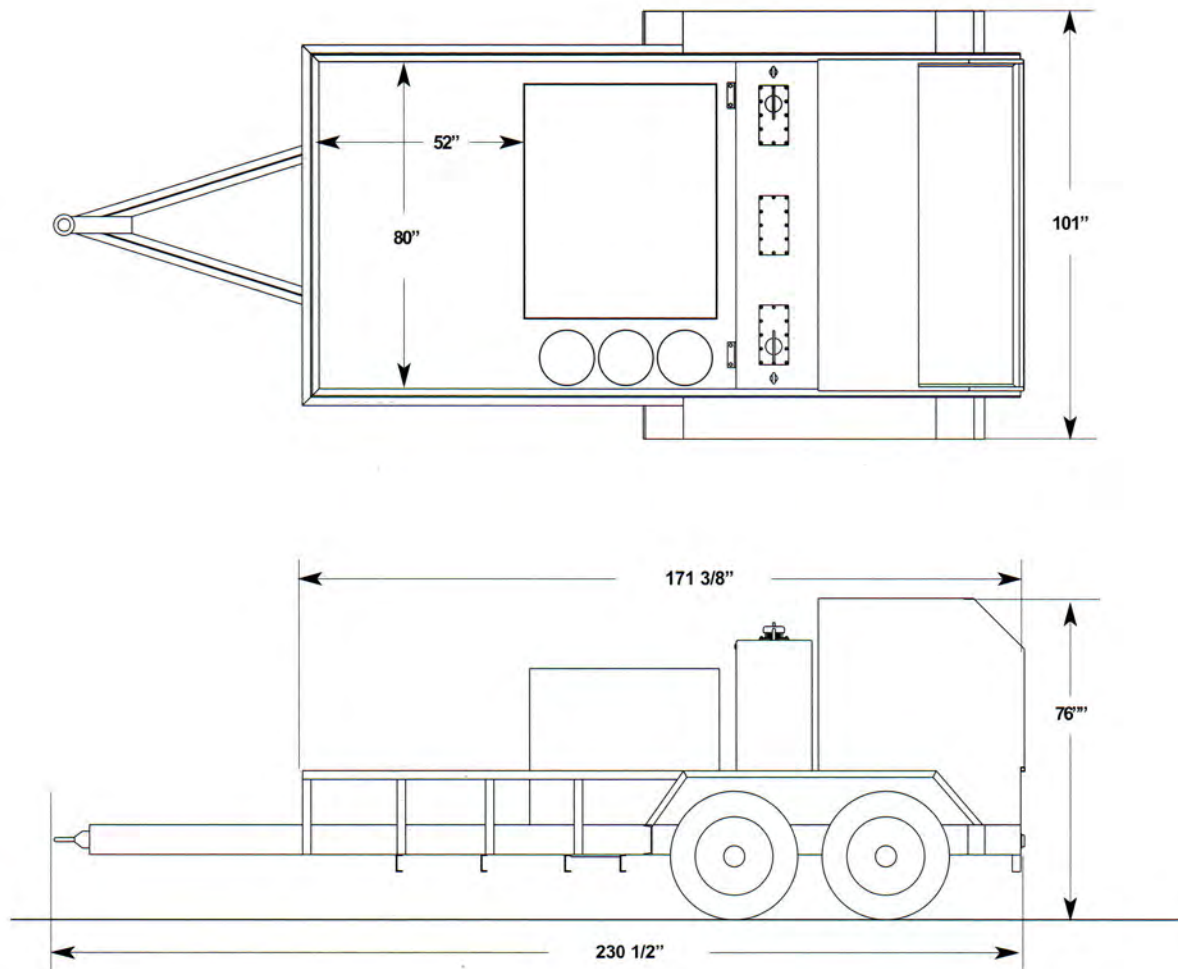


# CME Decon Trailer



## Specifications:

Trailer GVW.....14,000 lbs.  
Dry weight (approx.).....5,200 lbs.  
Power washer.....gas/diesel or diesel/diesel  
Water tank capacity.....276 gallons  
Storage area (approx.) .....52"x80"  
Decon pad area .....48"x78"



## CENTRAL MINE EQUIPMENT COMPANY

4215 Rider Trail North, Earth City (St. Louis), Mo. 63045  
Phone: 314-291-7700 • 1-800-325-8827 • FAX: 314-291-4880  
E-mail: [info@cmeco.com](mailto:info@cmeco.com) • Website: [www.cmeco.com](http://www.cmeco.com)