



# CME-55

- Reliable Cummins diesel 120 horsepower engine
- Spindle torque up to 9,425 ft/lbs
- Fast retract and detent down feed controls adjustable pressure and rate
- Can be mounted on truck, trailer, ATV, or the CME-300 rubber tracked carrier
- Low-clearance model available
- CME patented safety shutdown systems and optional back-up camera
- CPT, MWD, and probe hammer options available
- CME drills are custom built and painted to your specifications

**CENTRAL MINE EQUIPMENT COMPANY**  
800-325-8827 • [info@cmeco.com](mailto:info@cmeco.com) • [www.cmeco.com](http://www.cmeco.com)



# CME-55



### Power

Cummins QSF 3.8 (229 cubic inch) 120 Horsepower Tier-4f 4-cylinder turbocharged diesel engine

### Hydraulic Feed System

Retract force.....28,275 pounds (12,825 Kg)  
 Pulldown force.....18,650 pounds (8,460 Kg)  
 Retract rate.....35 feet (10.6 m) per minute  
 Rapid retract rate.....90 feet (27.4 m) per minute  
 Feed rate.....55 feet (16.7 m) per minute  
 Stroke.....72 inch (183 cm)

### Rotary Drive

Clutch, heavy duty.....13 inch (33 cm)  
 Transmission.....5 speed forward, 1 speed reverse  
 Rotary torque, standard.....7,780 foot pounds (10,548 Nm)  
 Rotary speed, standard.....up to 800 rpm  
 Rotary torque, high torque.....9,425 foot pounds (12,778 Nm)  
 Rotary speed, high torque.....up to 665 rpm  
 Hollow spindle I.D.....standard 2 3/4 inch (7 cm)  
 optional 3 3/4 inch (9.5 cm)

### Mast Options

20 foot (6.1 m)  
 22 foot (6.7 m)  
 26 foot (7.9 m)  
 Quick disconnect

### Hoist Options

1,800 pound (816 kg)  
 3,200 pound (1,452 kg)  
 7,000 pound (3,175 kg)  
 8,500 pound (3,855 kg)  
 Hydraulic wireline hoists

### Hydraulic Rod Holder and Break-out Wrench Options

4 1/2 inch (11.4 cm) capacity  
 5 1/2 inch (14 cm) capacity  
 6 5/8 inch (16.8 cm) capacity  
 Adjustable height

### CME Automatic Hammer System Options

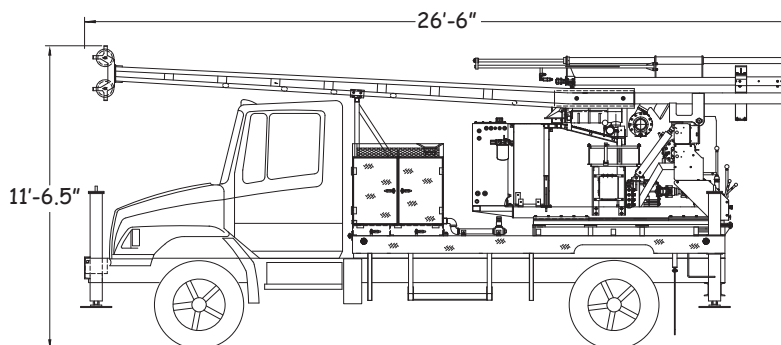
110 pound (49.9 kg)  
 140 pound (63.5 kg)  
 170 pound (77.1 kg)  
 300 pound (136.1 kg)  
 340 pound (154.2 kg)

### Water Pump Options

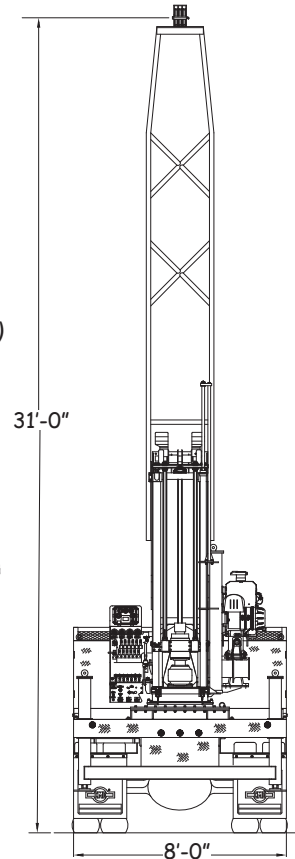
Moyno 3L6 - 36 gpm/225 psi (136 lpm/1,551 kPa)  
 Moyno 3L8 - 84 gpm/225 psi (318 lpm/1,551 kPa)  
 Moyno 3L10 - 146 gpm/225 psi (552 lpm/1,551 kPa)  
 Bean L09 (420) - 25 gpm/500 psi (95 lpm/3,448 kPa)  
 Bean L1122 (435) - 35 gpm/500 psi (132 lpm/3,448 kPa)  
 Gardner Denver 4 1/2x5 - 137 gpm/195 psi (518 lpm/1,344 kPa)  
 Bredel Hose Pumps

### Drill Platform Options

Special lighting, work lights and strobes  
 Rod, auger and core barrel racks  
 Tool Boxes  
 Work tables  
 Pipe vises  
 Water tanks



Typical single rear axle truck configuration with 26 foot mast  
 Dimensions will vary, depending on truck wheel base and all-wheel drive or tandem axle application



## CENTRAL MINE EQUIPMENT COMPANY

4215 Rider Trail North, Earth City (St. Louis), Missouri, 63045 USA  
 Phone: 314-291-7700 1-800-325-8827 FAX: 314-291-4880  
 E-mail: info@cmeco.com Website: www.cmeco.com

Performance ratings are based on engineering specifications, calculations and accepted industry standards. Capacities may vary according to drilling conditions.

CME reserves the right to amend these specifications at any time, without notice.

MKT 55 100 8/2022 Printed in USA

© Central Mine Equipment Company 2022