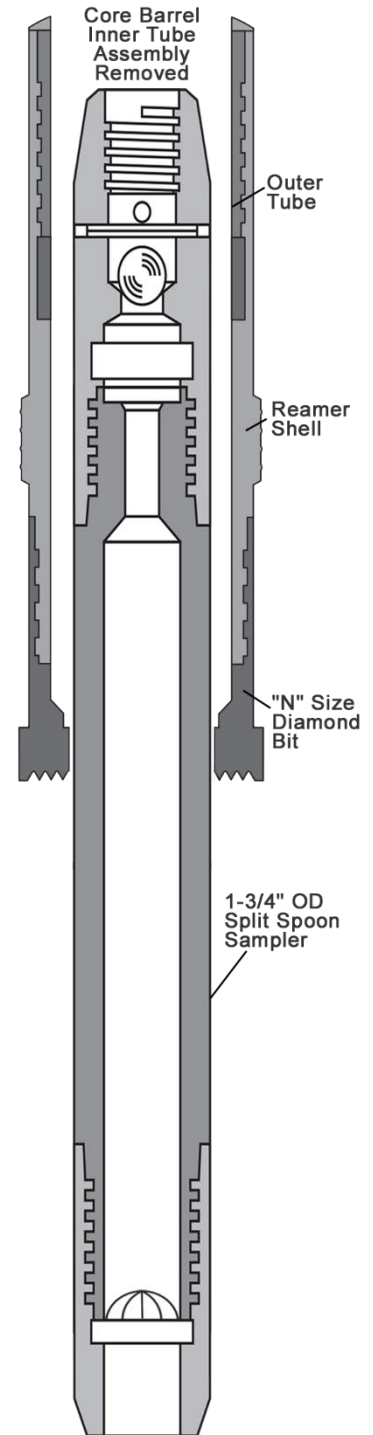




1-3/4" OD SPLIT SPOON SAMPLER

The 1-3/4" OD Split Spoon Sampler is designed to pass through an N-size core barrel and core bit enabling sample collection in soft material seams and unconsolidated formations where core recovery is difficult.

CME #	Description
220023	Split Spoon Sampler Assy 1-3/4" x 18" x AW
34387	Split Spoon Sampler Assy 1-3/4" x 24" x AW
220024	Head Assy 1-3/4" x AW
220420	Split Spoon Sampler Assy 1-3/4" x 18" x AWJ
221170	Split Spoon Sampler Assy 1-3/4" x 24" AWJ
221275	Head Assy 1-3/4" x AWJ
220026	Split Barrel 1-3/4" x 18" 8 TPI
221276	Split Barrel 1-3/4" x 24" 8 TPI
220025	Shoe 1-3/4" 8 TPI
221264	Basket Retainer-Steel 1-3/4"



For more information, call 800-325-8827 or email productupdates@cmeco.com!

DEDICATION QUALITY KNOWLEDGE

CME is dedicated to providing the highest quality products and superior customer service, supported by the most experienced and knowledgeable sales staff in the industry.